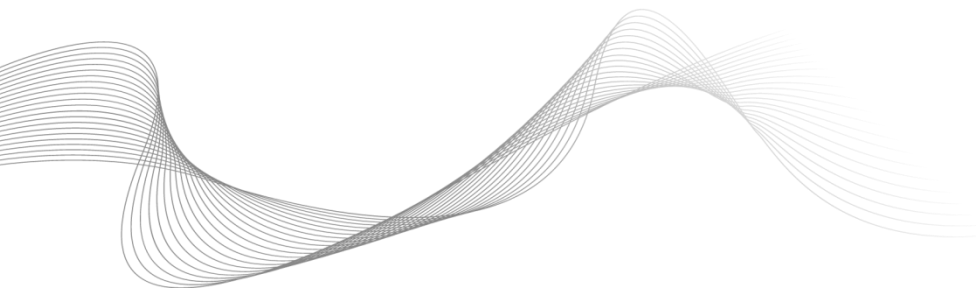


COTEK



CR Series User's Manual

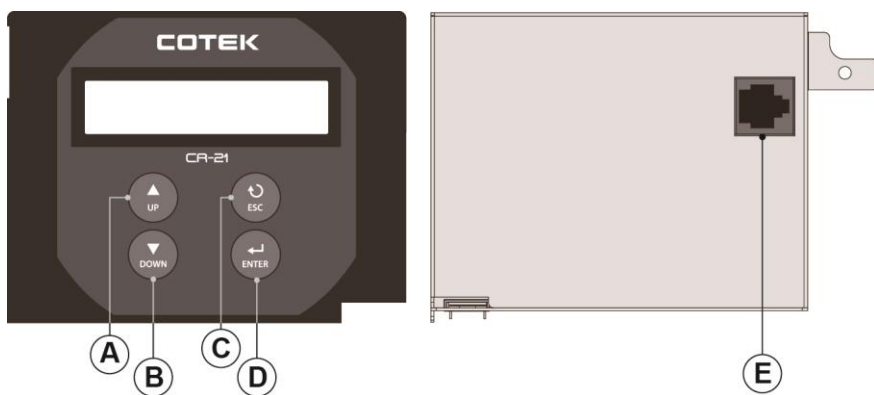
CR-21 Remote Control

For SR-1600 / SRC-2500

1. Introduction

1-1. System

The remote is designed to easily and quickly connect Cotek SR-1600 / SRC-2500. The LCD display is used for setting up the inverter/charger, as well as displaying current status or fault messages. Pressing buttons allows you to select a menu item or to save a setting, once it is displayed on the LCD screen.

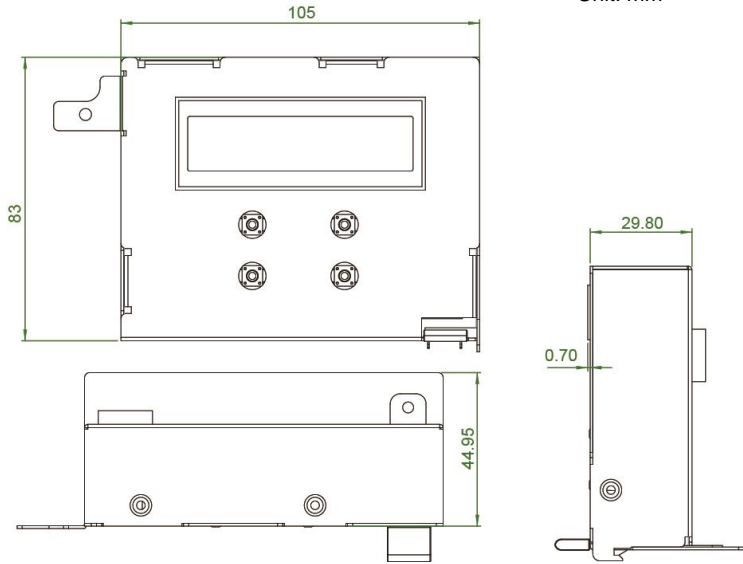


Front and rear Panel introduction

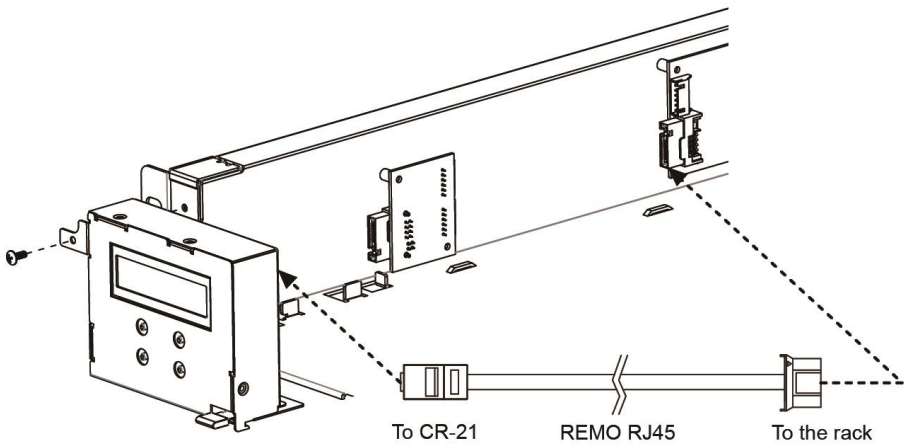
	Description	Function
A	UP	Scroll up
B	DOWN	Scroll down
C	ESC	Go back to previous page.
D	ENTER	Enter next page and save setting value
E	RJ-45 port	Connect to the Inverter

1-2. Mechanical Drawings

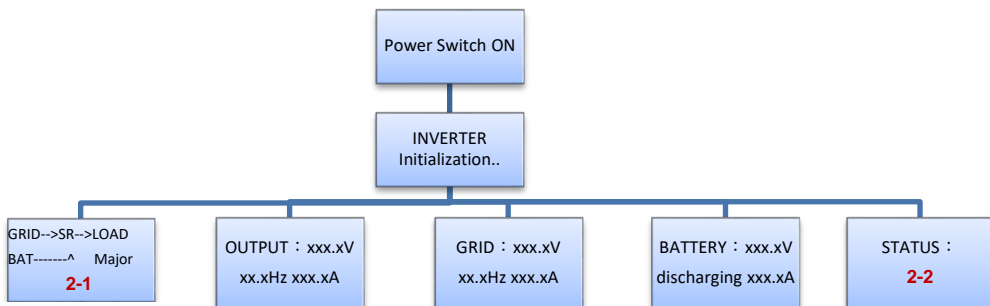
Unit: mm




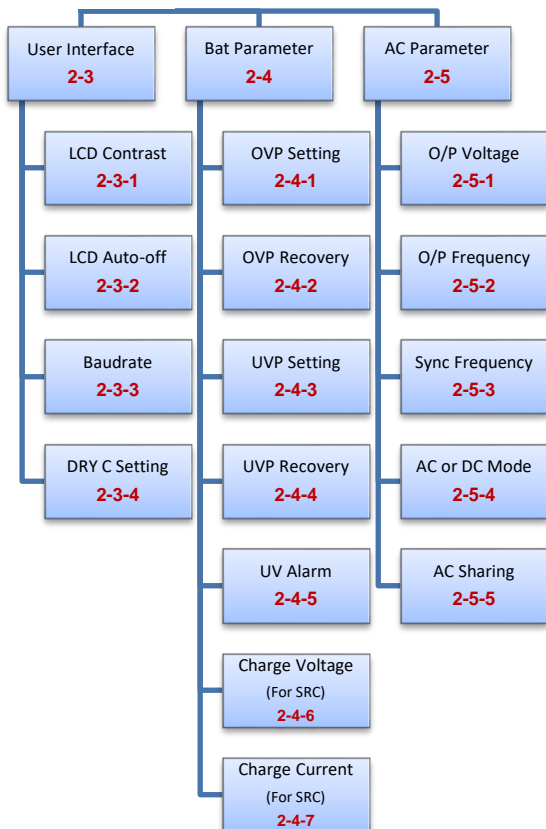
1-3. Hardware Installation



2. Display tree



Enter into System Setup by "press  for 3 seconds"



2-1 GRID-->SR-->LOAD BAT-----^ Major

The connection status and Alarm type. For the description of alarm type, (Major / Minor Alarm) please refer to Alarm List in the “SR-1600 User Manual.”

2-2 STATUS :

It indicates Alarm Message. Please refer to LED Indicator in the SR-1600 User Manual.”

2-3 User Interface

2-3-1 LCD contrast : Sets the LCD screen contrast.

Default = 50% Setting range = 0% ~ 100%

Setting Menu	SETT<value>
LCD Contrast	0 ~ 100

2-3-2 LCD Auto-off : Sets the LCD screen backlight auto off timer

Default = 120 seconds Setting range = 0 ~ 120 seconds

Setting Menu	SETT<value>
LCD Auto-off	0 ~ 120

2-3-3 Baud rate : Default setting : 4800

Setting Menu	SETT<value>	
RS-485 Baud rate	0	1200
	1	2400
	2	4800
	3	9600
	4	19200

2-3-4 Dry contact C setting : Default =1, Setting range = 0~2, default=1.

Setting Menu	SETT<value>	
Dry contact C setting	0	Disable
	1	Follow dry contact A (major alarm)
	2	Follow dry contact B (minor alarm)

2-4 Bat Parameter

2-4-1 OVP Setting : Set the Over Voltage Protection (OVP) and shutdown.

Default = 34 VDC @ 24V Model. 68 VDC @ 48V Model

Model	Setting value range
24V	30 VDC ~ 34 VDC
48V	60 VDC ~ 68 VDC

2-4-2 OVP Recovery : When the DC input voltage is higher than the OVP setting, the SR series shuts down; once the input voltage falls below the set OVP value, the SR series will automatically restart.

Default = 28 VDC @ 24V Model. 56 VDC @ 48V Model

Model	Setting value range
24V	26 VDC ~ 30 VDC
48V	52 VDC ~ 60 VDC

2-4-3 UVP Setting : Setting Under Voltage Protection (UVP) and shutdown on the inverter operation.

Default= 18 VDC @ 24V Model. 36VDC @ 48V Model

Model	Setting value range
24V	18 VDC ~ 25 VDC
48V	36 VDC ~ 50 VDC

2-4-4 UVP Recovery : When the DC input voltage is below the set UVP value, the SR series shuts down; once the input voltage rises above the set UVP value, the SR series will automatically restart.

Default= 25 VDC @ 24V Model. 50VDC @ 48V Model

Model	Setting value range
24V	23 VDC ~ 27 VDC
48V	46 VDC ~ 54 VDC

2-4-5 UV Alarm : Setting Under Voltage (UV) alarm. When the input voltage is lower than the set value, the SR series will sound a “beep” to remind you that the unit is going to shutdown.

Default= 21 VDC @ 24 V Model. 42 VDC @ 48 V Model

Model	Setting value range
24V	19 VDC ~ 26 VDC
48V	38 VDC ~ 52 VDC

2-4-6 Charging voltage (For SRC): Default =54 VDC

Model	Setting value range
48V	52 VDC ~ 58 VDC

2-4-7 Charging current (For SRC): Default =0 A

Model	Setting value range
48V	0A ~ 25A

2-5 AC Parameter

2-5-1 O/P Voltage : Setting the SR series output voltage on the inverter operation. 1xx = 100, 110, 115 or 120V ; 2xx = 200V, 220V, 230V or 240V.

Model	Setting value range
1XX	97 VAC ~ 127 VAC
2XX	194 VAC ~ 254 VAC

2-5-2 O/P Frequency : Setting the SR series output frequency on the inverter operation. 1xx = 100, 110, 115 or 120V ; 2xx = 200V, 220V, 230V or 240V.

Model	Setting value range
1XX & 2XX	50 or 60 Hz

2-5-3 Sync Frequency : Setting SR series output frequency tolerance range on the inverter operation. 1xx = 100, 110, 115, 120V ; 2xx = 200V, 220V, 230V or 240V.

Model	Setting value range
1XX & 2XX	0 Hz ~ 3 Hz

2-5-4 AC or DC Mode : Default =1, AC Mode is the 1st priority source.

DC Mode : DC is the 1st priority source, and the AC power is the 2nd priority source.

AC Mode : AC is the 1st priority source, and the DC power is the 2nd priority source.

Mode Priority	SETT<value>
DC Mode	0
AC Mode	1

2-5-5 AC Sharing : Setting range = 10, 20, 30, 40, 50, 60, 70, 80, 90, 100

Default= 100 (Disable)

Setting Menu	SETT<value>	Description
AC Ratio	10	AC load 10%, DC load 90%
	20	AC load 20%, DC load 80%
	30	AC load 30%, DC load 70%
	40	AC load 40%, DC load 60%
	50	AC load 50%, DC load 50%
	60	AC load 60%, DC load 40%
	70	AC load 70%, DC load 30%
	80	AC load 80%, DC load 20%
	90	AC load 90%, DC load 10%
	100	Disable

COTEK

No.33, Sec. 2, Renhe Rd., DaxiDist., Taoyuan City 33548, Taiwan

Phone : +886-3-3891999 FAX : +886-3-3802333

[http : // www.cotek.com.tw](http://www.cotek.com.tw)

2018.07_ A1