

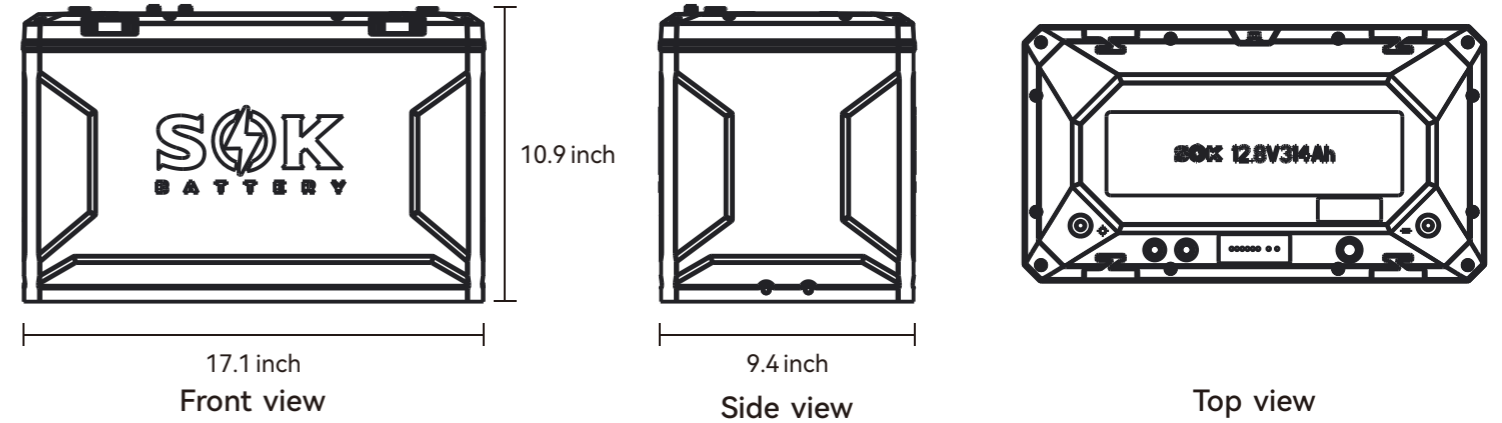


# SK12V314PH

## LITHIUM IRON PHOSPHATE BATTERY

Drop-In Replacement LiFePO4 Battery

- Gas Aerosol Fireproof
- IP67 waterproof
- Bluetooth
- Victron Communication
- 8000+cycle Life
- Self-Heating
- Excellent Heat Dispersion
- Lcd soc indicator
- ON/OFF Switch



### ELECTRICAL PERFORMANCE

Nominal Voltage	12.8V
Nominal Capacity	314Ah
Energy	4019Wh
Self Discharge	<3%/Month
Cells	3.2V 314Ah Cell(>8000cycles)

### TEMPERATURE PERFORMANCE

Discharge Temperature	-4 ~ 140 °F (-20 ~ 60°C)
Charge Temperature	4 ~ 122 °F (-20 ~ 50°C)
Storage Temperature	23 ~ 95 °F (-5 ~ 35 °C )
BMS High Temperature Cut-Off	Discharge 167 °F (75°C) Charge 158 °F (70°C)
Reconnect Temperature	Discharge 149 °F (65°C) Charge 140 °F (60°C)

### CHARGE PERFORMANCE

Recommended Charge Current	150A
Maximum Charge Current	200A
Recommended Charge Voltage	≤14.6V
BMS Charge Cut-Off Voltage	> 15.0V or 3.8V(Cell)
Reconnect Voltage	< 13.8V
Balancing Voltage	3.4V and ≥40mV @ charge
Maximum Batteries in Series	4
Maximum Batteries in parallel	10

### MECHANICAL PERFORMANCE

Dimension (LxWxH)	17.1*9.4*10.9inch
Approx. Weight	67lb
Terminal Type	M8
Terminal Torque	80 ~ 100 in-lbs (9 ~ 11 N-m)
Case Material	PC+ABS
Enclosure Protection	IP67

### DISCHARGE PERFORMANCE

Maximum Continuous Discharge Current	200A
Peak Discharge Current	800A, 5s
Recommended Low Voltage Disconnect	≥10.5V
BMS Discharge Cut-Off Voltage	<10.0V
Reconnect Voltage	>12.0
Short Circuit Protection	1200A, 300us

### COMPLIANCE

Certifications	UL1973,UL9540A,IEC62619 for cells MSDS for shipping UN38.3
----------------	---

Performance may vary depending on application. All specifications are subject to change without prior notice to the user. This data is for evaluation purposes only. No guarantee is intended or implied by this data. For clarification and updated information, please contact us.