
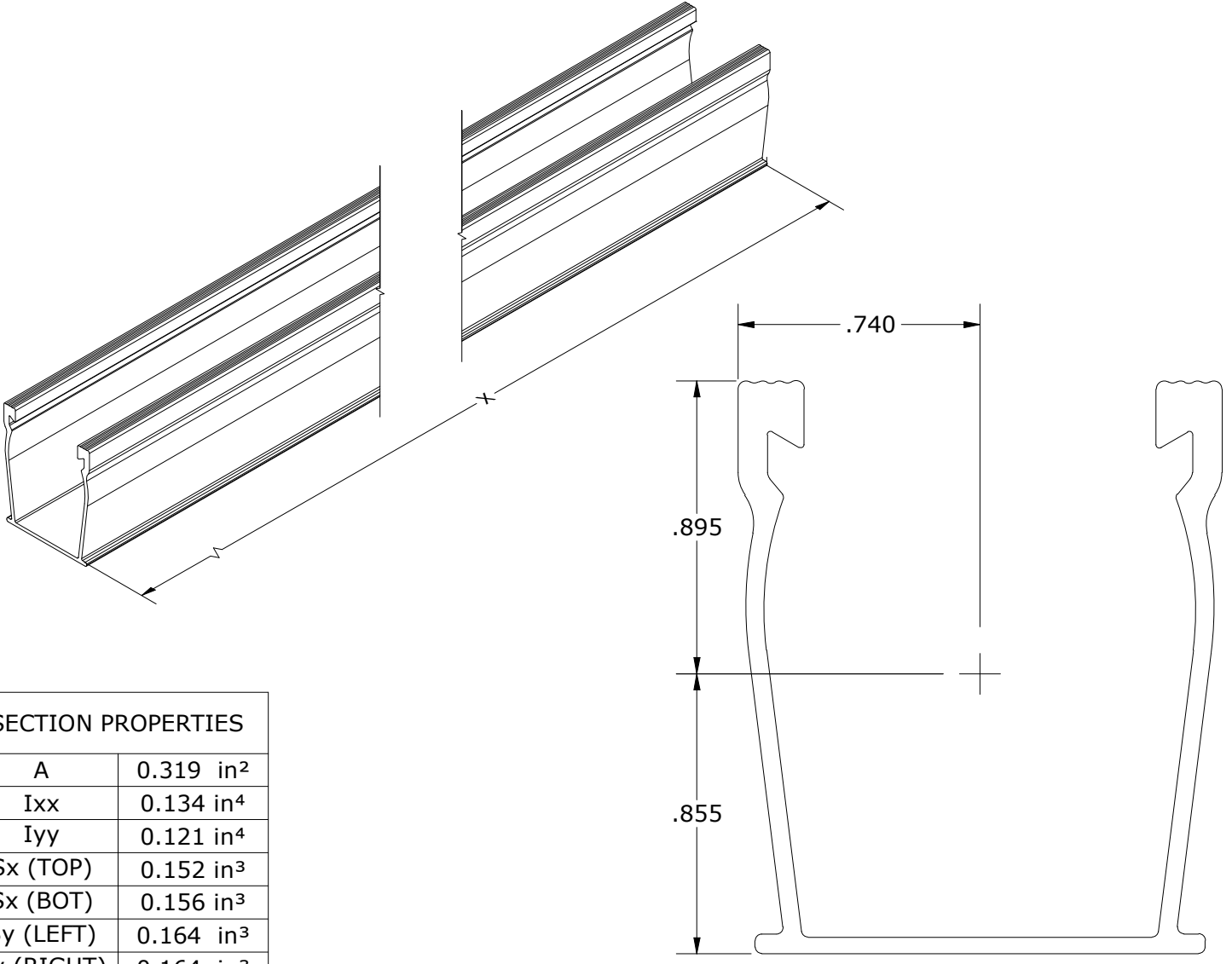


DESCRIPTION: <b>SNAPNRACK, TDS, UR-45 RAIL</b>		DOC NUMBER: SNR-DC-01420	
PART NUMBER(S): 232-10095, 232-10096, 232-10097, 232-10098,		DRAWN BY: H.WULFEKOETTER	
UNITS: IN, LB, DEG [MM, KG, DEG]	SHEET: 1:1	REV: <b>A</b> DATE: 3/6/2024 <small>SUNRUN INSTALLATION SERVICES INC. 225 BUSH STREET, SUITE 1400 • SAN FRANCISCO, CA 94104 USA PHONE (877) 732-2860 • CONTACT@SNAPNRACK.COM THE INFORMATION IN THIS DRAWING IS CONFIDENTIAL AND PROPRIETARY. ANY REPRODUCTION, DISCLOSURE, OR USE THEREOF IS PROHIBITED WITHOUT THE WRITTEN CONSENT OF SUNRUN SOUTH LLC.</small>	

UR-45 RAIL PROPERTIES			
SKU	FINISH	RAIL LENGTH	WEIGHT (lb)
232-10095	MILL	172 in	5.55
232-10096	BLACK	172 in	5.55
232-10097	MILL	94 in	3.03
232-10098	BLACK	94 in	3.03



SECTION PROPERTIES	
A	0.319 in <sup>2</sup>
I <sub>xx</sub>	0.134 in <sup>4</sup>
I <sub>yy</sub>	0.121 in <sup>4</sup>
S <sub>x</sub> (TOP)	0.152 in <sup>3</sup>
S <sub>x</sub> (BOT)	0.156 in <sup>3</sup>
S <sub>y</sub> (LEFT)	0.164 in <sup>3</sup>
S <sub>y</sub> (RIGHT)	0.164 in <sup>3</sup>

MATERIALS:	6005-T5 ALUMINUM
DESIGN LOAD (LBS):	N/A
ULTIMATE LOAD (LBS):	N/A
TORQUE SPECIFICATION:	N/A FT-LBS
CERTIFICATION:	UL 2703, FILE E359313
WEIGHT (LBS):	5.48 - 5.62 (172 in), 2.96 - 3.10 (94 in)