

DESCRIPTION:
**SNAPRACK & S-5!, TDS, ALL PURPOSE L FOOT
 WITH VERSABRACKET**

DOC NUMBER:
 SNR-DC-01311

SnapNrack®

PART NUMBER(S):

242-10044

DRAWN BY:
 M.WATKINS

REV:

DATE:

A

6/9/2023

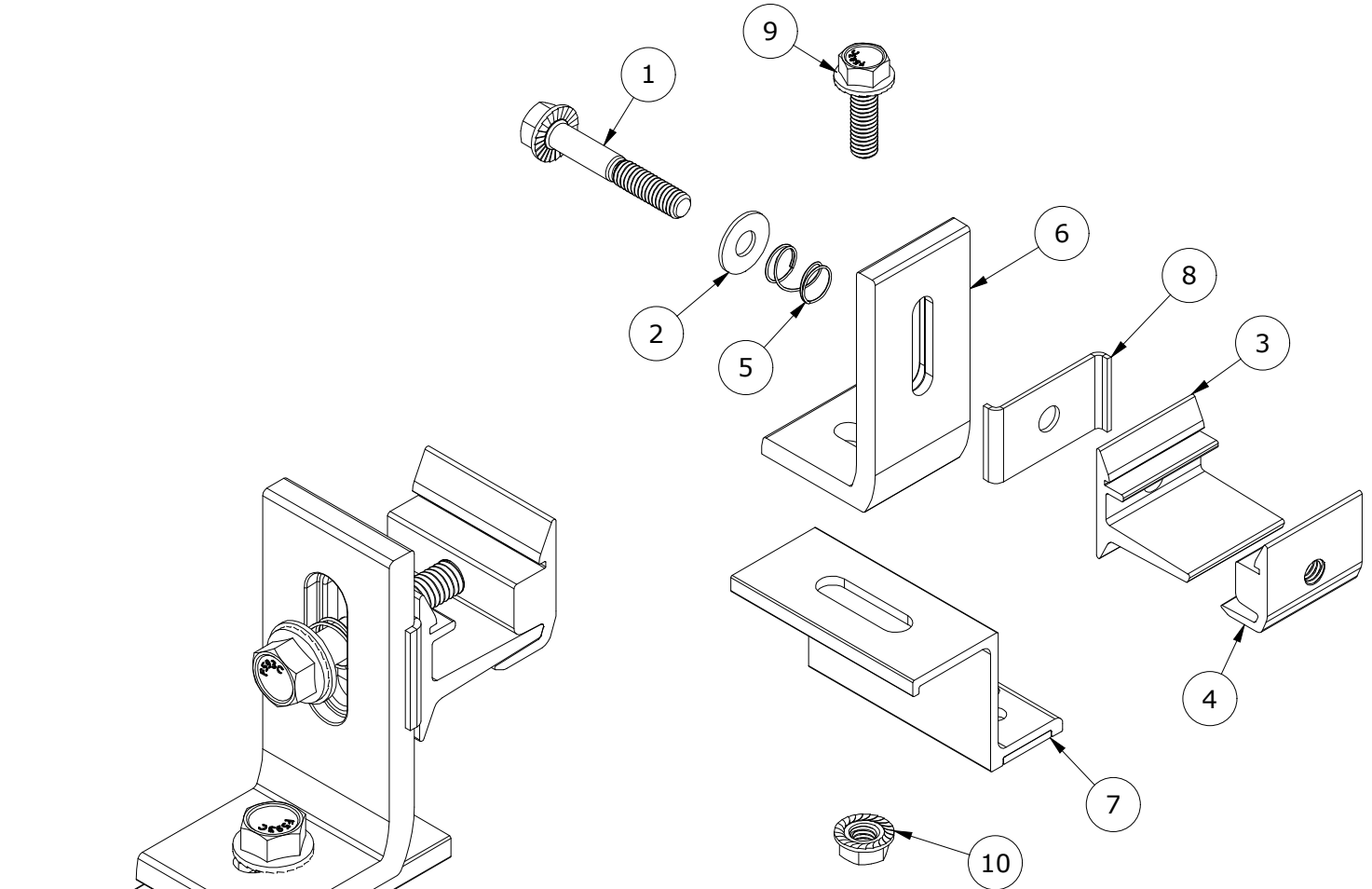
SUNRUN INSTALLATION SERVICES INC.

225 BUSH STREET, SUITE 1400 • SAN FRANCISCO, CA 94104 USA
 PHONE (877) 732-2860 • CONTACT@SNAPNRACK.COM

THE INFORMATION IN THIS DRAWING IS CONFIDENTIAL AND PROPRIETARY. ANY
 REPRODUCTION, DISCLOSURE, OR USE THEREOF IS PROHIBITED WITHOUT THE
 WRITTEN CONSENT OF SUNRUN SOUTH LLC.

UNITS: IN, LB, DEG [MM, KG, DEG]

SHEET: 1:2



PARTS LIST

ITEM	QTY	DESCRIPTION
1	1	BOLT, FLANGE, SERRATED, 5/16IN-18 X 2IN, SS
2	1	5/16IN X 3/4IN SS FLAT WASHER
3	1	SNAPRACK, ULTRA RAIL MOUNT THRU PRC, CLEAR
4	1	SNAPRACK, ULTRA RAIL MOUNT TAPPED PRC, CLEAR
5	1	SNAPRACK, RL UNIVERSAL, MOUNT SPRING, SS
6	1	SNAPRACK, AP90 L FOOT, STEPPED, CLEAR
7	1	S-5! VERSABRACKET 47
8	1	SNAPRACK, SEAM CLAMP ROTATION LOCK
9	1	BOLT, FLANGE, SERRATED, 5/16IN-18 X 1IN, SS
10	1	NUT, FLANGE, SERRATED, 5/16IN-18, SS

MATERIALS:

6000 SERIES ALUMINUM, STAINLESS STEEL

DESIGN LOAD (LBS):

VARIES, REFER TO SNAPRACK ENGINEERING

ULTIMATE LOAD (LBS):

VARIES, REFER TO SNAPRACK ENGINEERING

TORQUE SPECIFICATION:

12-13 FT-LBS

CERTIFICATION:

UL 2703, FILE E359313

WEIGHT (LBS):

0.61

DESCRIPTION:
**SNAPRACK & S-5!, TDS, ALL PURPOSE L FOOT
 WITH VERSABRACKET**

DOC NUMBER:
 SNR-DC-01311

SnapNrack®

PART NUMBER(S):

242-10044

DRAWN BY:
 M.WATKINS

REV:

DATE:

A

6/9/2023

SUNRUN INSTALLATION SERVICES INC.

225 BUSH STREET, SUITE 1400 • SAN FRANCISCO, CA 94104 USA
 PHONE (877) 732-2860 • CONTACT@SNAPNRACK.COM

THE INFORMATION IN THIS DRAWING IS CONFIDENTIAL AND PROPRIETARY. ANY
 REPRODUCTION, DISCLOSURE, OR USE THEREOF IS PROHIBITED WITHOUT THE
 WRITTEN CONSENT OF SUNRUN SOUTH LLC.

UNITS: IN, LB, DEG [MM, KG, DEG]

SHEET: 2:2

