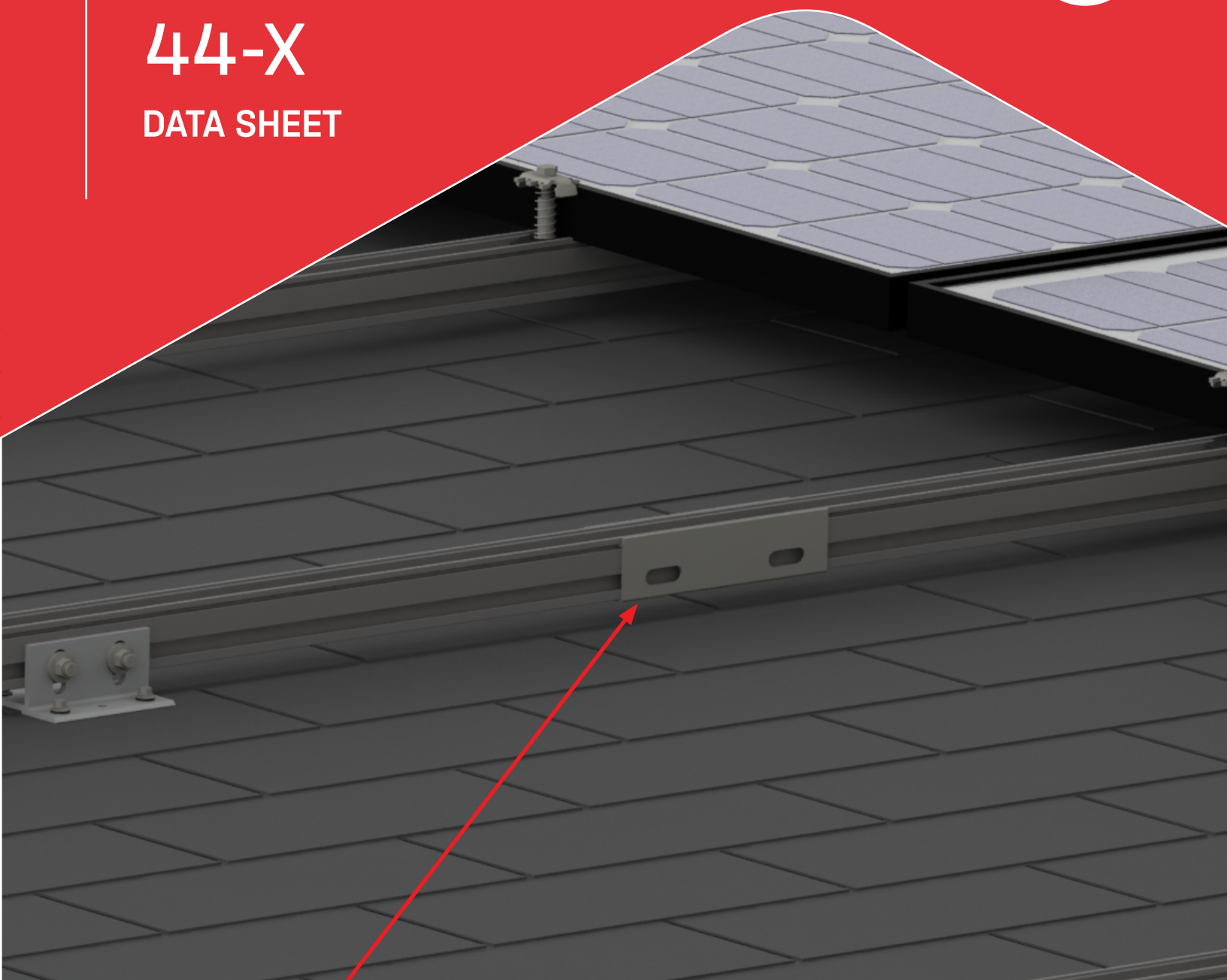


# Tool-less Rail Connector



## 44-X

### DATA SHEET



**Tool-less Rail Connector, 44-X**

- / Simply slide in rails
- / Available in mill and dark

## PRODUCT FEATURES



- / Simple slide in technology
- / Compatible with any system using CrossRail 44-X rails
- / Optional T-Bolt holes available
- / Integrated Bonding UL 2703

## TECHNICAL DATA

	Tool-less Rail Connector, 44-X
Part Number(s)	4000051-T (Mill) , 4000052-T (Dark)
Material	Stainless steel 304 1/2 H (clip), Aluminum 6063-T6 (connector)
Compatibility	Any CrossRail System using 44-X rail
Certifications	UL E467724
Warranty	25 years
Florida Product Approval	FL#46869

## Components



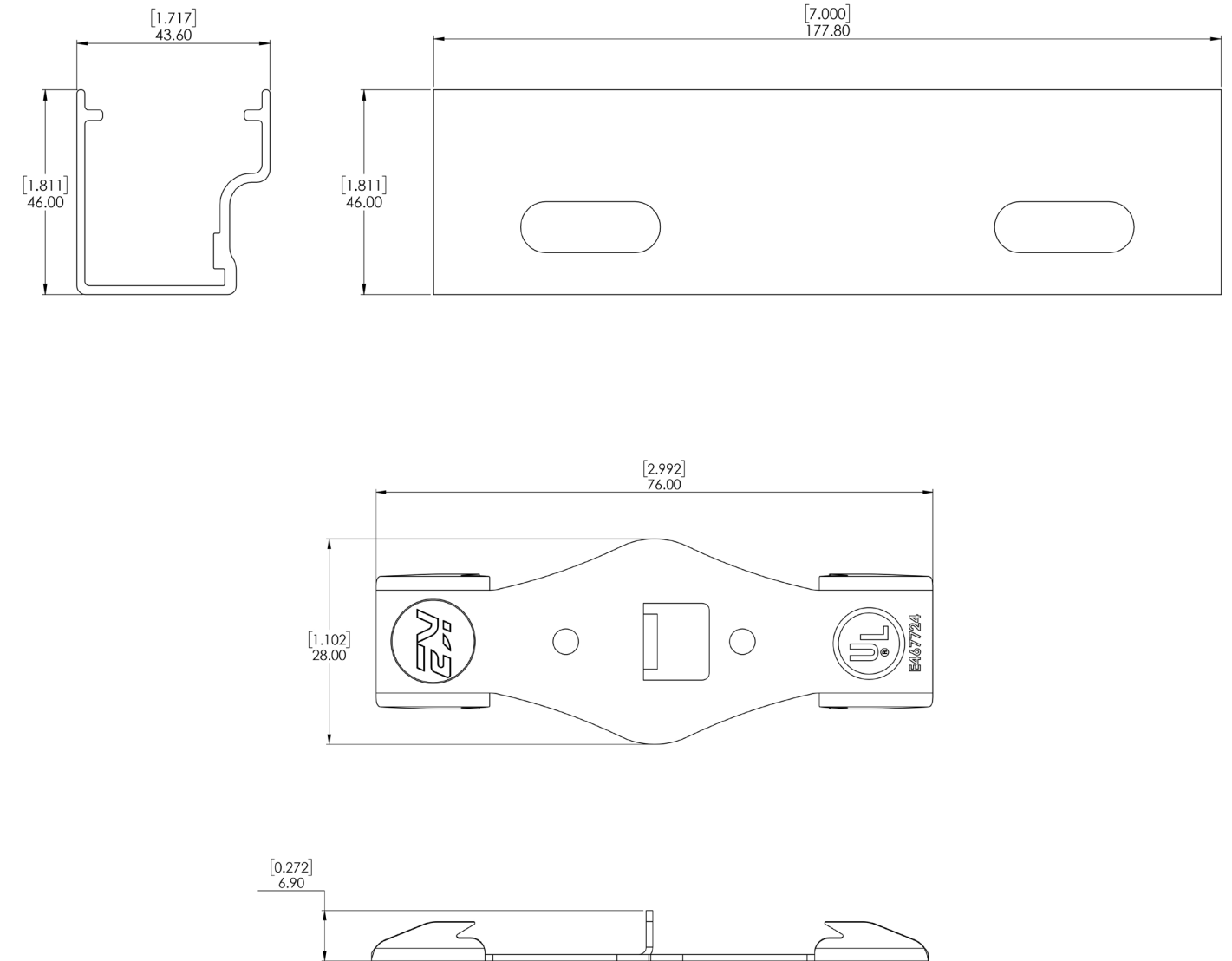
### Tool-less Rail Connector, 44-X

Part Number	Description
4000051-T	Tool-less Rail Connector 44-X, Set, Mill
4000052-T	Tool-less Rail Connector 44-X, Set, Dark

## DIMENSIONS

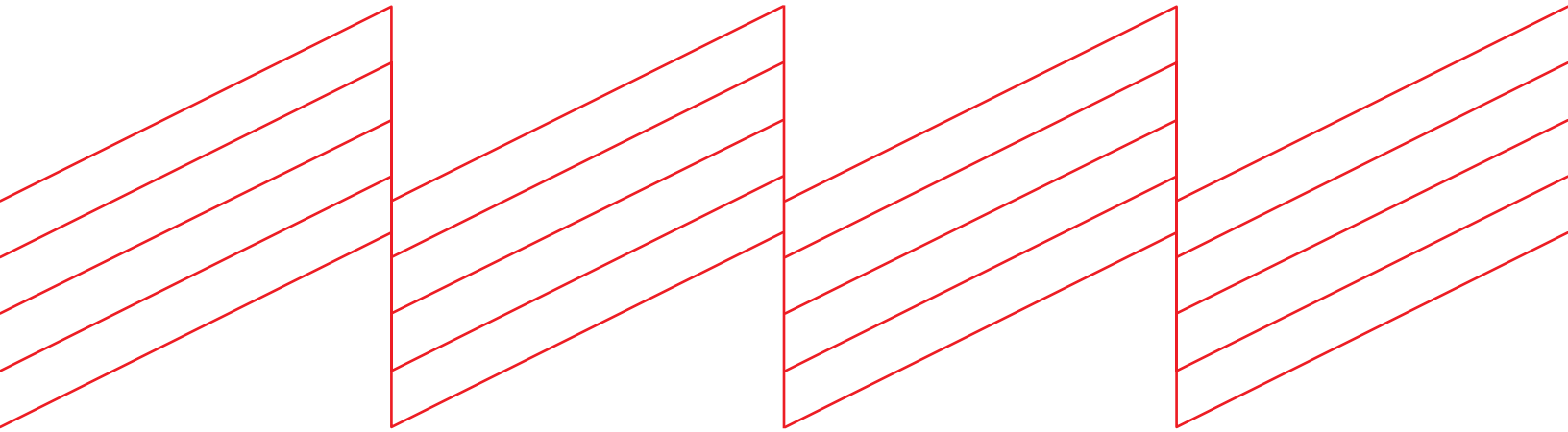


Units: [in] mm





# Connecting Strength



## K2 Systems, LLC

4665 North Ave. Suite I • Oceanside, CA 92056 •  
USA +1.760.301.5300 • [infous@k2-systems.com](mailto:infous@k2-systems.com)  
[www.k2-systems.com/en-us](http://www.k2-systems.com/en-us)

Tool-less Rail Connector Data Sheet V2 | 0824 • Subject to change •  
Product illustrations are exemplary and may differ from the original.

## K2 Systems

Calle Coral #2628 Interior 1 • Guadalajara, Jal. 44560  
México +521 (33) 3575.9380 • [info@k2-systems.mx](mailto:info@k2-systems.mx)  
[www.k2-systems.com/es-mx](http://www.k2-systems.com/es-mx)

Tool-less Rail Connector Data Sheet V2 | 0824 • Sujeto a cambios •  
Las ilustraciones del producto son ejemplares y pueden diferir del original.