

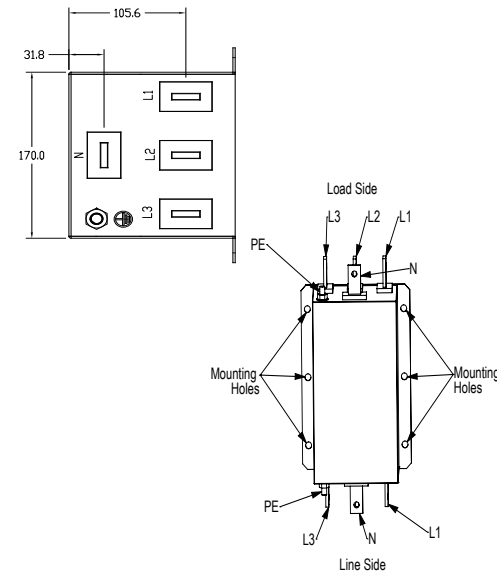
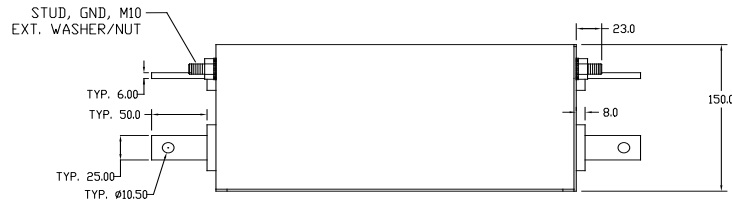
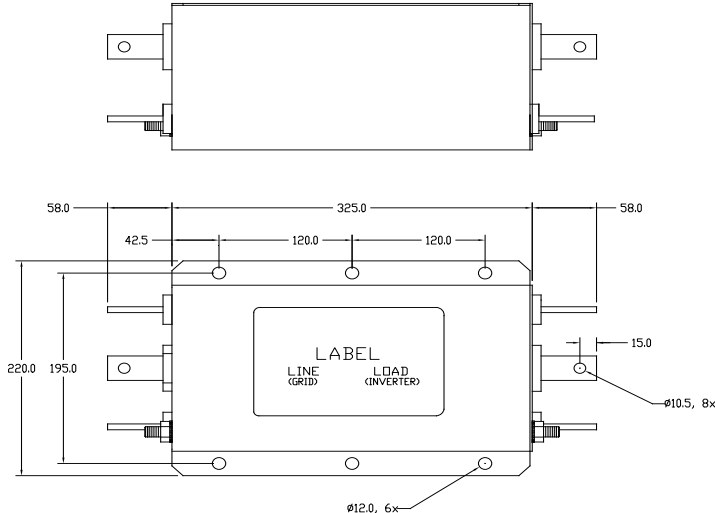
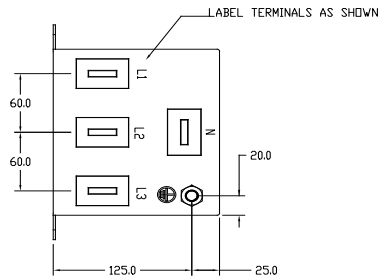
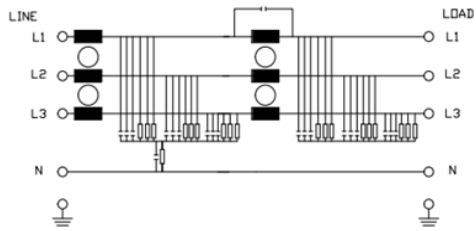
Installing QD-LCF-400-3P Line Filter

In commercial applications, the QD-LCF-400-3P Line Filter, manufactured by Astrodyne, separates power line communication domains across the Enphase IQ8 Commercial Microinverter installation when multiple Enphase IQ Gateway Commercial 2 are located on a single utility transformer or when site loads generate electrical noise that disrupt communications.

Connect both the Enphase IQ Gateway Commercial 2 and Enphase IQ8 Commercial Microinverters on the array or load side of the filter, and wire the utility feed to the line side of the filter.

- Recommended torque for M10 terminals is 18 N m (160 in-lb)
- Recommended conductor size for 400 A continuous is 500 kcmil
- Mount in an appropriate enclosure using the mounting holes

A. Line side
B. Load side



Revision history

REVISION	DATE	DESCRIPTION
140-00215-04	October 2023	Editorial updates
Previous releases		