

METALX END 30 CLAMP
SEE PAGE MX-A02

MLPE TIGER CLIP
SEE PAGE MX-A09

METALX MID 30 CLAMP
SEE PAGE MX-A03

ECOX END COUPLING
SEE PAGE MX-A04

ECOX UNI COUPLING
SEE PAGE MX-A05

CORRUBRACKET 100T ATTACHMENT
SEE PAGE MX-A06

STANDING SEAM ATTACHMENT
SEE PAGE MX-A07

PM ADJUST SLOTTED ATTACHMENT
SEE PAGE MX-A08

ECOX ROW TO ROW BONDING CLIP
SEE PAGE MX-P01

UNIRAC[®]
 1411 BROADWAY BLVD. NE
 ALBUQUERQUE, NM 87102 USA
 PHONE: 505.242.6411
 WWW.UNIRAC.COM

PRODUCT LINE:	METALX
DRAWING TYPE:	ASSEMBLY & PARTS
DESCRIPTION:	SYSTEM OVERVIEW
REVISION DATE:	4/21/2023

DRAWING NOT TO SCALE
 ALL DIMENSIONS ARE
 NOMINAL

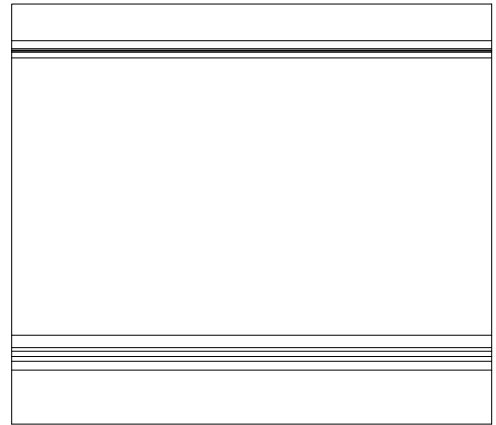
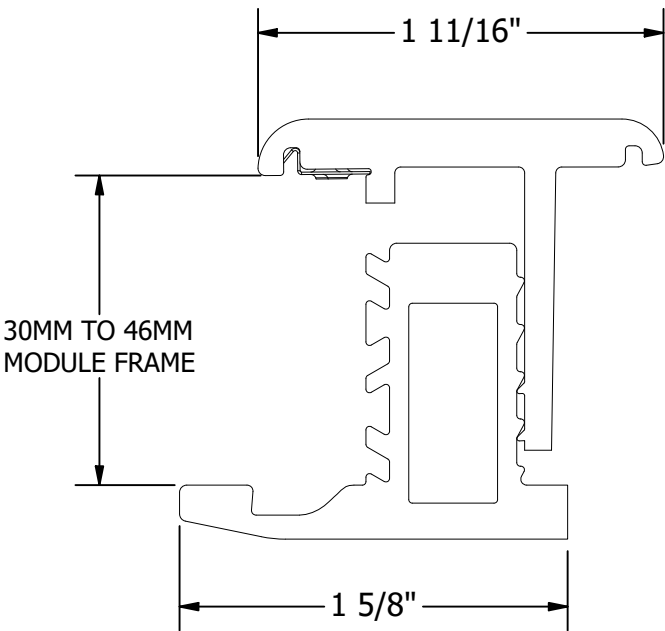
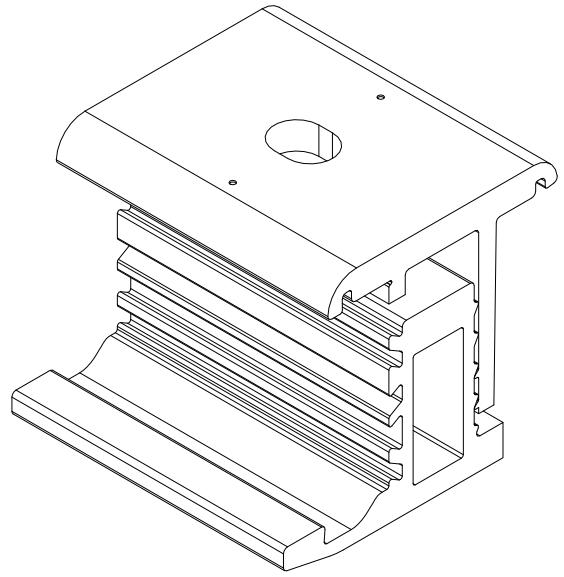
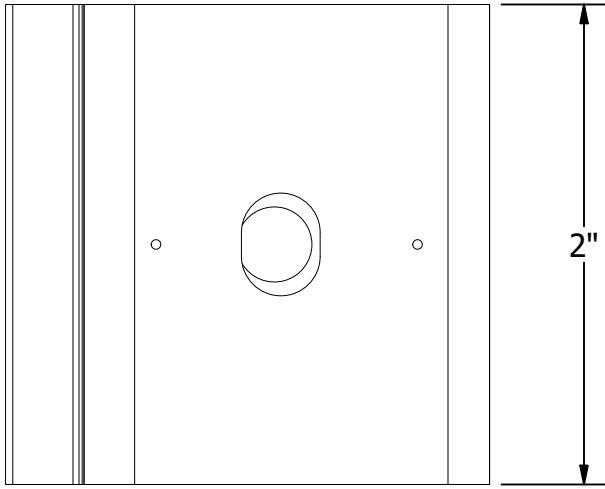
PRODUCT PROTECTED BY
 ONE OR MORE US PATENTS

LEGAL NOTICE

MX-A01

SHEET

PART # TABLE	
P/N	DESCRIPTION
ES10835	METALX END 30 CLAMP



METALX END 30 CLAMP



1411 BROADWAY BLVD. NE
 ALBUQUERQUE, NM 87102 USA
 PHONE: 505.242.6411
 WWW.UNIRAC.COM

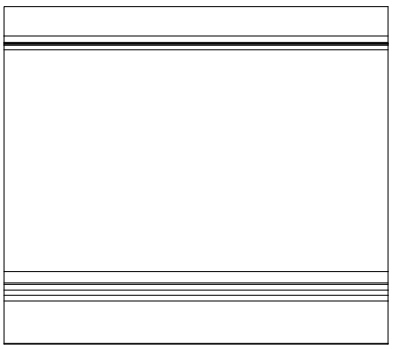
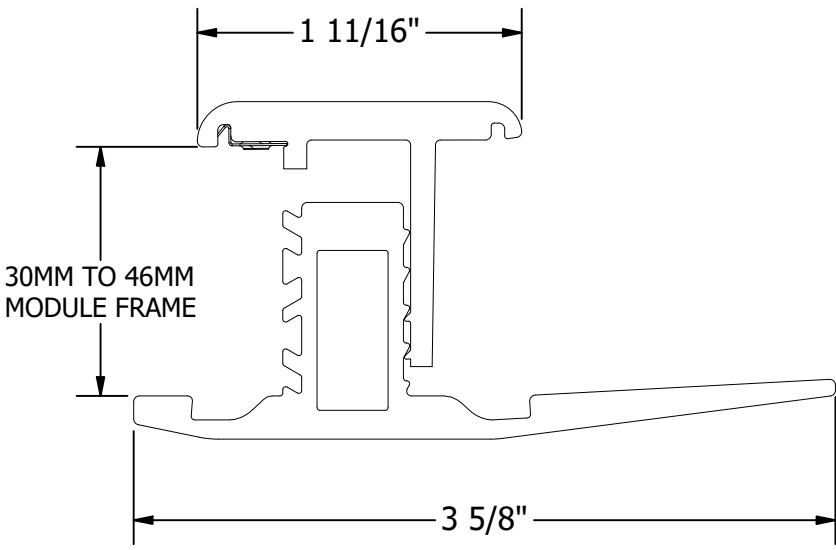
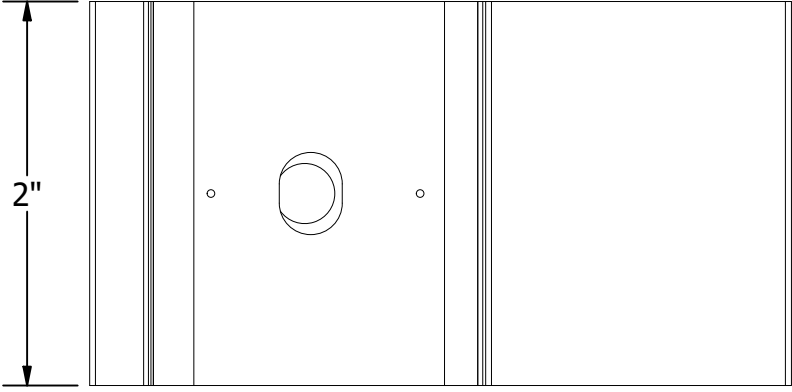
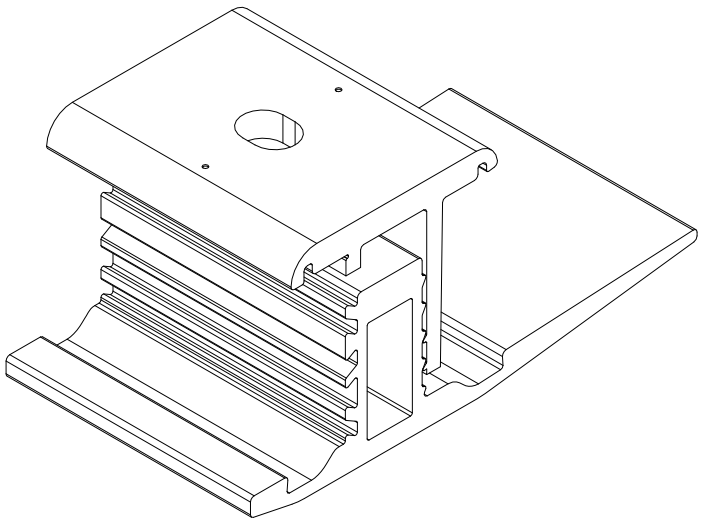
PRODUCT LINE:	METALX
DRAWING TYPE:	PARTS ASSEMBLY
DESCRIPTION:	END CLAMP
REVISION DATE:	4/21/2023

DRAWING NOT TO SCALE
 ALL DIMENSIONS ARE
 NOMINAL

PRODUCT PROTECTED BY
 ONE OR MORE US PATENTS
 LEGAL NOTICE

MX-A02
 SHEET

PART # TABLE	
P/N	DESCRIPTION
ES10836	METALX MID 30 CLAMP



METALX MID 30 CLAMP

UNIRAC
 1411 BROADWAY BLVD. NE
 ALBUQUERQUE, NM 87102 USA
 PHONE: 505.242.6411
 WWW.UNIRAC.COM

PRODUCT LINE:	METALX
DRAWING TYPE:	PARTS ASSEMBLY
DESCRIPTION:	MID CLAMP
REVISION DATE:	4/21/2023

DRAWING NOT TO SCALE
 ALL DIMENSIONS ARE
 NOMINAL

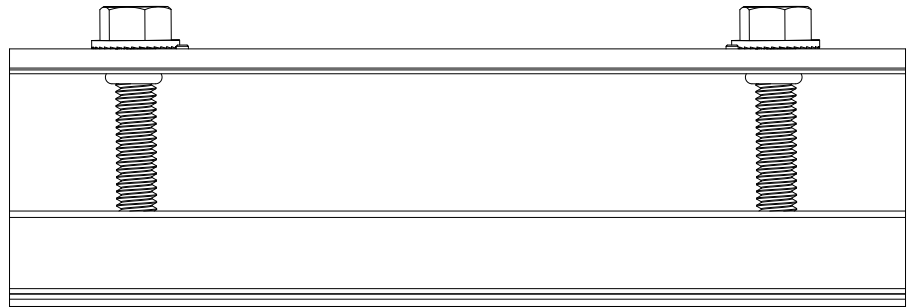
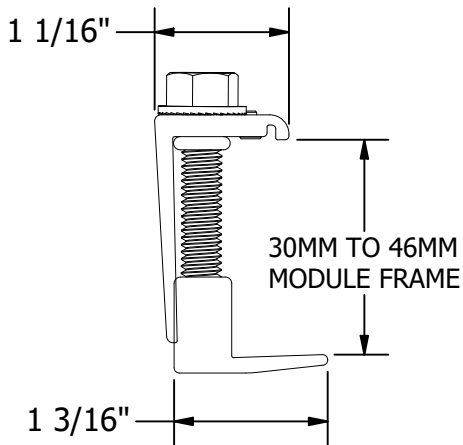
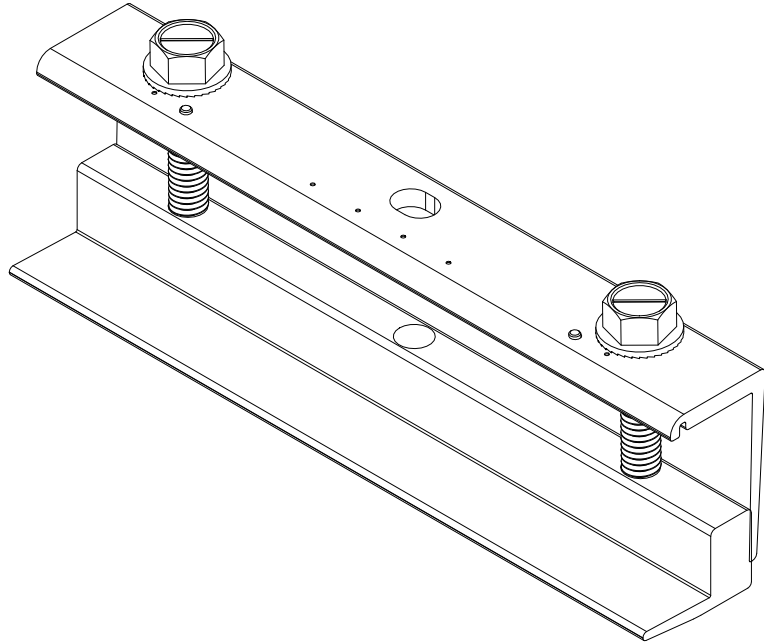
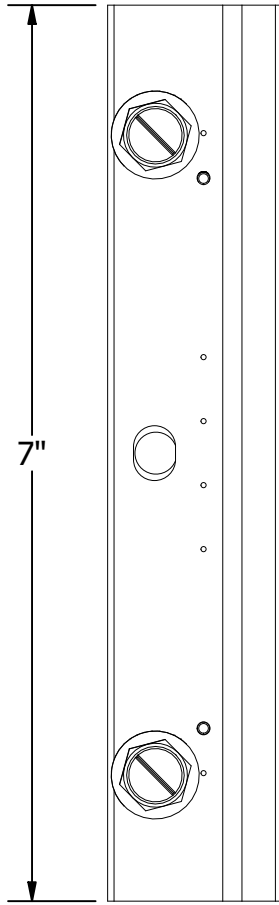
PRODUCT PROTECTED BY
 ONE OR MORE US PATENTS

LEGAL NOTICE

MX-A03

SHEET

PART # TABLE	
P/N	DESCRIPTION
ES10146	ECOX END COUPLING



ECOX END COUPLING



1411 BROADWAY BLVD. NE
 ALBUQUERQUE, NM 87102 USA
 PHONE: 505.242.6411
 WWW.UNIRAC.COM

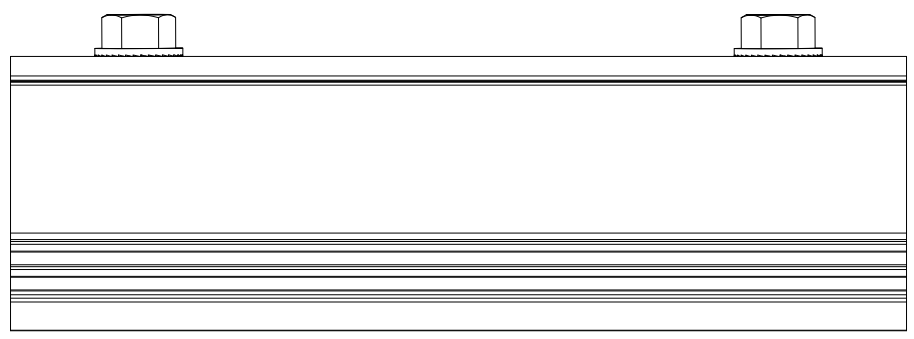
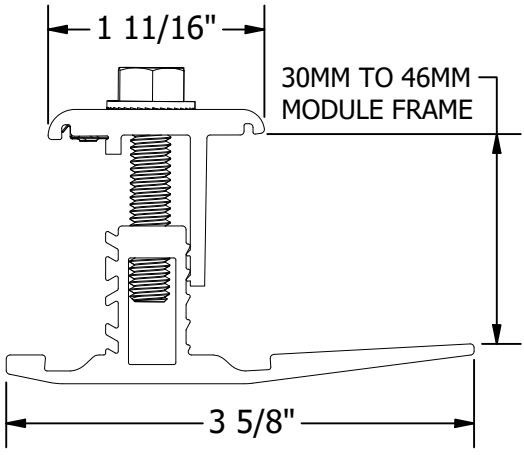
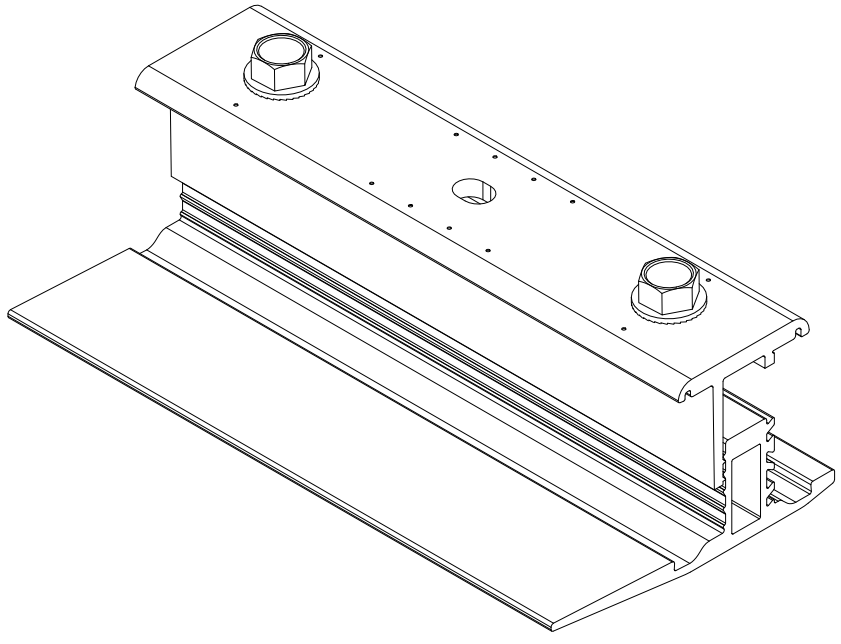
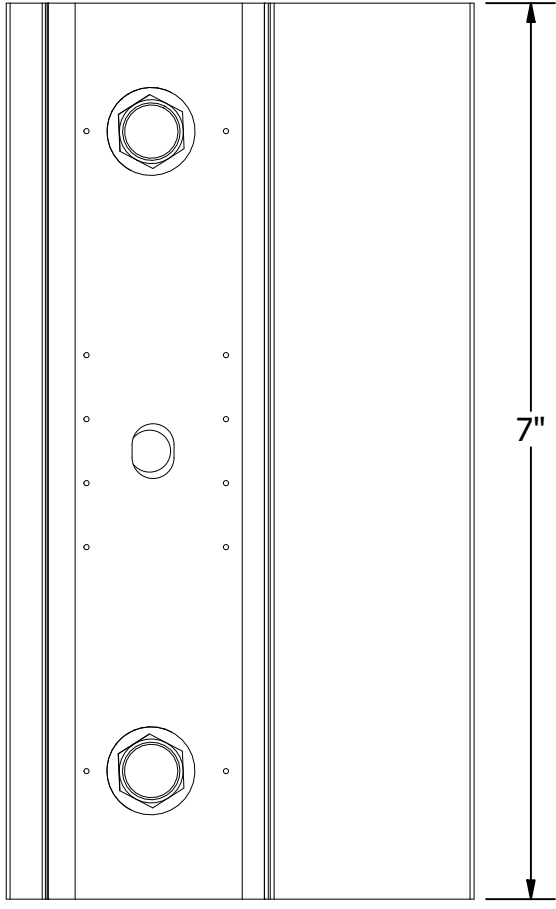
PRODUCT LINE:	METALX
DRAWING TYPE:	PARTS ASSEMBLY
DESCRIPTION:	END COUPLING
REVISION DATE:	4/21/2023

DRAWING NOT TO SCALE
 ALL DIMENSIONS ARE
 NOMINAL

PRODUCT PROTECTED BY
 ONE OR MORE US PATENTS
 LEGAL NOTICE

MX-A04
 SHEET

PART # TABLE	
P/N	DESCRIPTION
ES10924	ECOX COUPLING 30MM



ECOX COUPLING 30MM

UNIRAC[®]
 1411 BROADWAY BLVD. NE
 ALBUQUERQUE, NM 87102 USA
 PHONE: 505.242.6411
 WWW.UNIRAC.COM

PRODUCT LINE:	METALX
DRAWING TYPE:	PARTS ASSEMBLY
DESCRIPTION:	COUPLING 30MM
REVISION DATE:	4/21/2023

DRAWING NOT TO SCALE
 ALL DIMENSIONS ARE
 NOMINAL

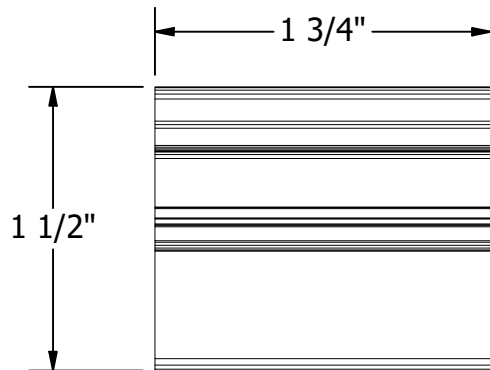
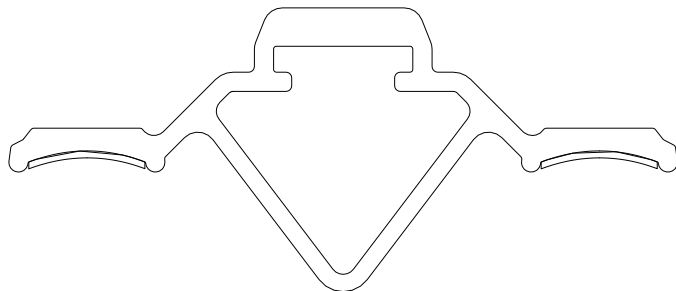
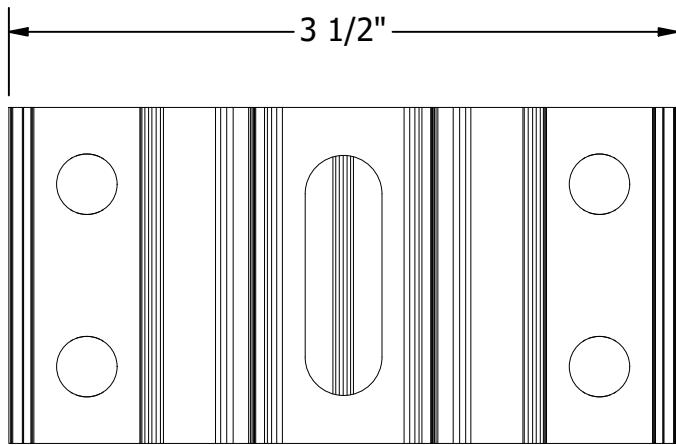
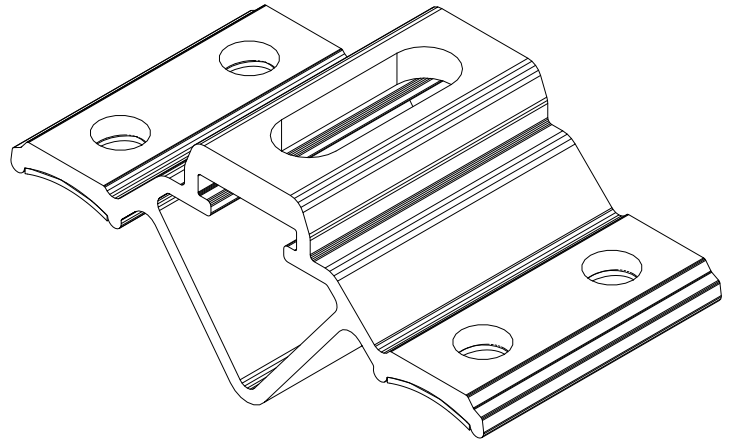
PRODUCT PROTECTED BY
 ONE OR MORE US PATENTS

LEGAL NOTICE

MX-A05

SHEET

PART # TABLE	
P/N	DESCRIPTION
ES10830	CORRUBRACKET 100T



S5! CORRUBRACKET 100T



1411 BROADWAY BLVD. NE
 ALBUQUERQUE, NM 87102 USA
 PHONE: 505.242.6411
 WWW.UNIRAC.COM

PRODUCT LINE:	METALX
DRAWING TYPE:	PARTS ASSEMBLY
DESCRIPTION:	ROOF ATTACHMENT
REVISION DATE:	4/21/2023

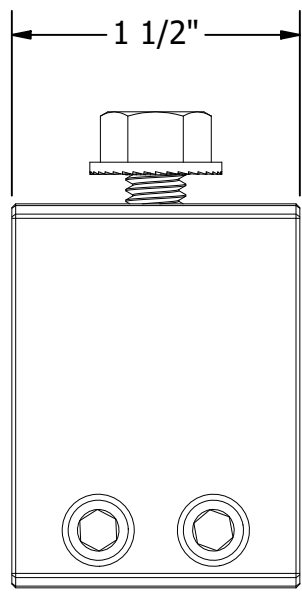
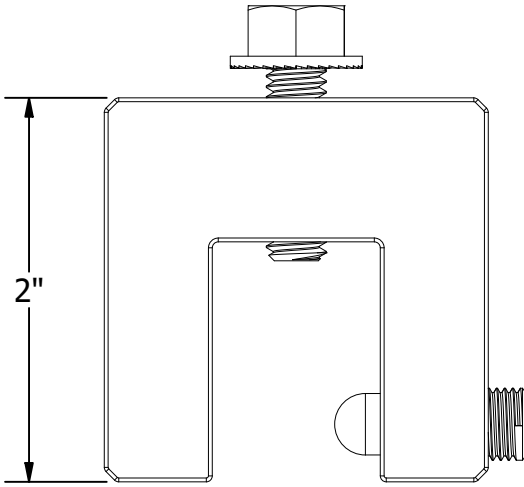
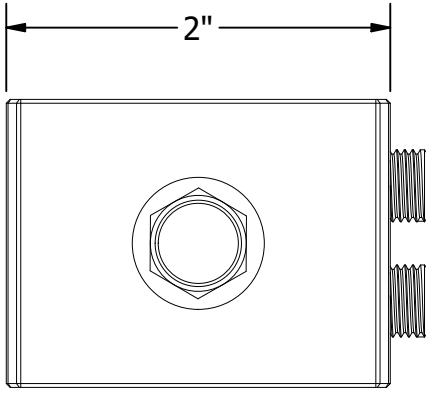
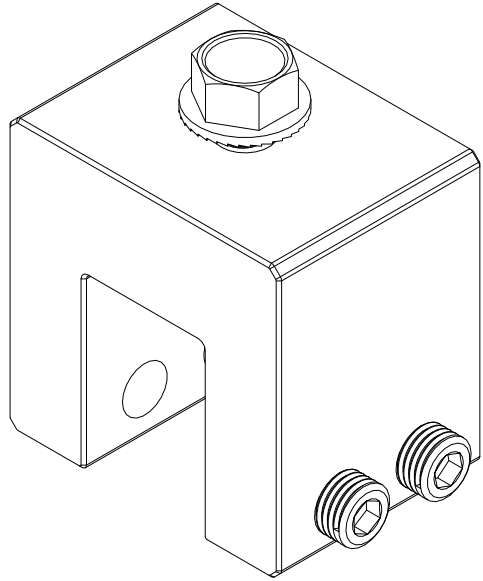
DRAWING NOT TO SCALE
 ALL DIMENSIONS ARE
 NOMINAL

PRODUCT PROTECTED BY
 ONE OR MORE US PATENTS
 LEGAL NOTICE

MX-A06

SHEET

PART # TABLE	
P/N	DESCRIPTION
ES10674	STANDING SEAM, STAND 2SS 5/16"



STANDING SEAM

UNIRAC
 1411 BROADWAY BLVD. NE
 ALBUQUERQUE, NM 87102 USA
 PHONE: 505.242.6411
 WWW.UNIRAC.COM

PRODUCT LINE:	METALX
DRAWING TYPE:	PARTS ASSEMBLY
DESCRIPTION:	ROOF ATTACHMENT
REVISION DATE:	4/21/2023

DRAWING NOT TO SCALE
 ALL DIMENSIONS ARE
 NOMINAL

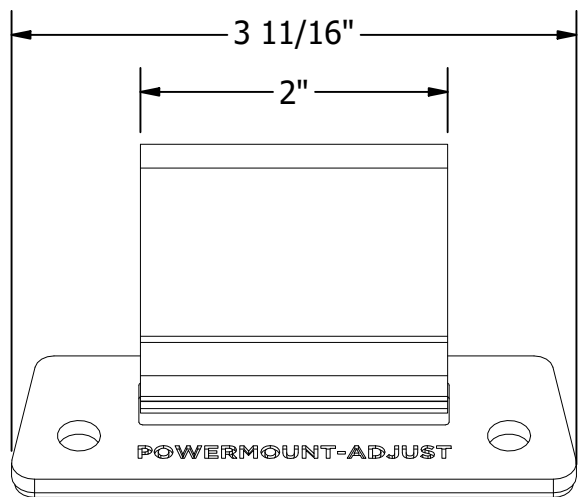
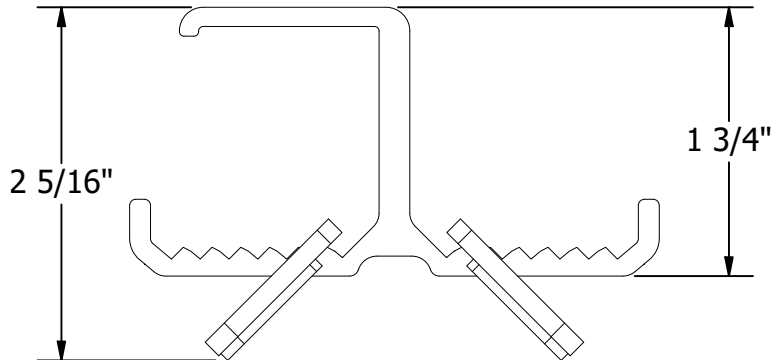
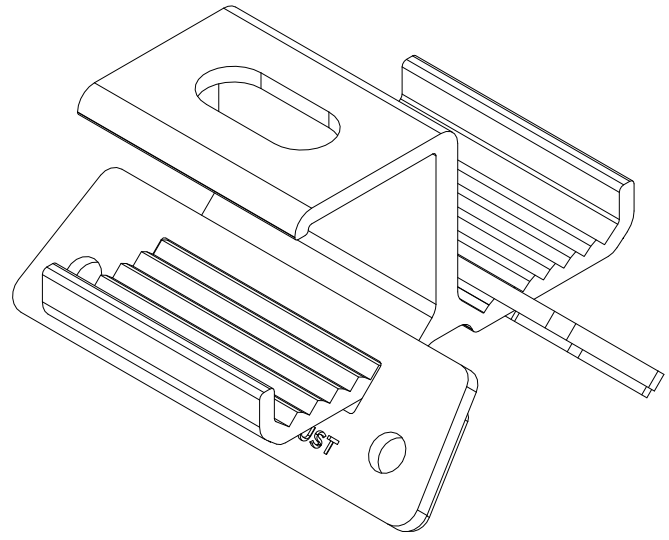
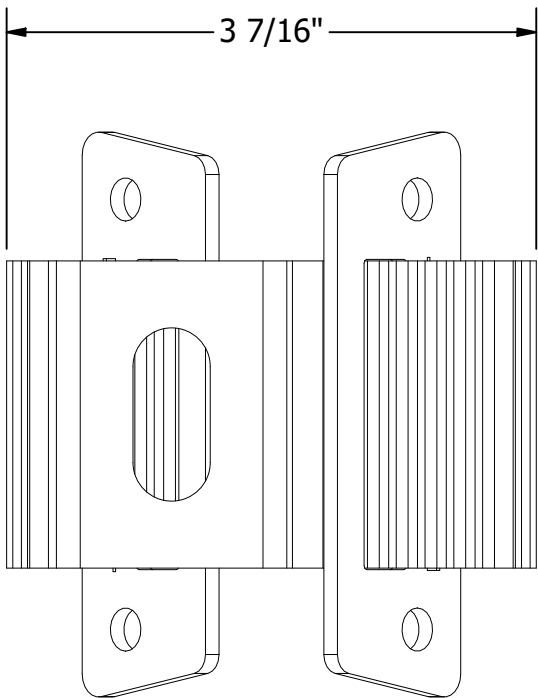
PRODUCT PROTECTED BY
 ONE OR MORE US PATENTS

LEGAL NOTICE

MX-A07

SHEET

PART # TABLE	
P/N	DESCRIPTION
ES11209	PM ADJUST SLOTTED



POWERMOUNT ADJUST SLOTTED

UNIRAC[®]
 1411 BROADWAY BLVD. NE
 ALBUQUERQUE, NM 87102 USA
 PHONE: 505.242.6411
 WWW.UNIRAC.COM

PRODUCT LINE:	METALX
DRAWING TYPE:	PARTS ASSEMBLY
DESCRIPTION:	ROOF ATTACHMENT
REVISION DATE:	4/21/2023

DRAWING NOT TO SCALE
 ALL DIMENSIONS ARE
 NOMINAL

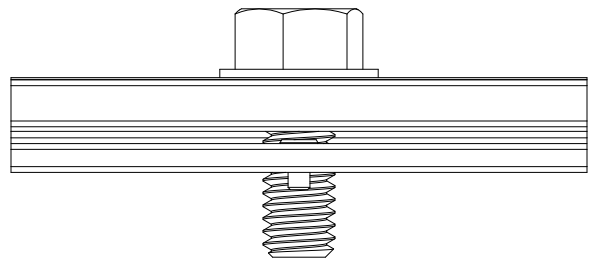
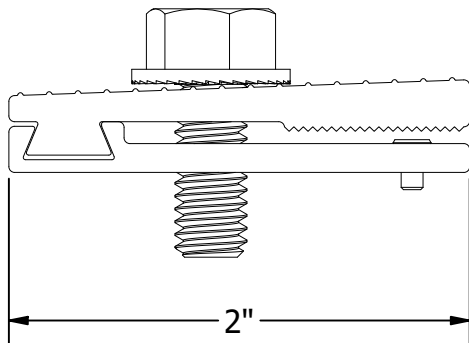
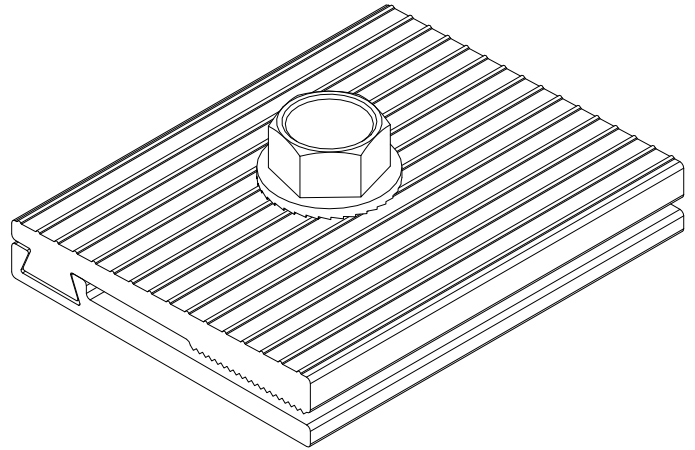
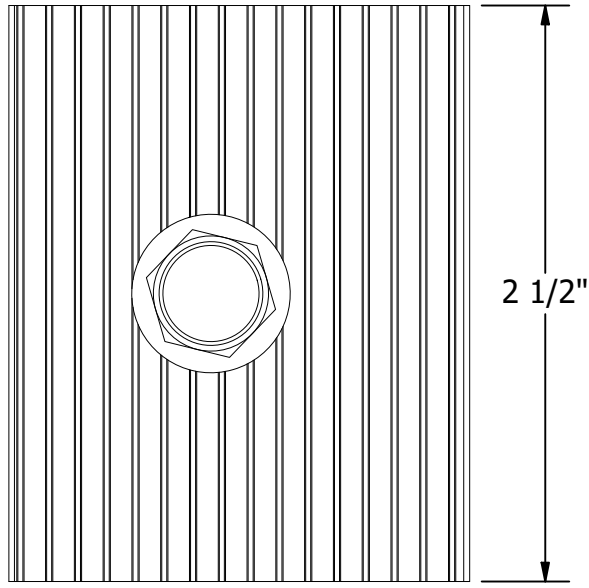
PRODUCT PROTECTED BY
 ONE OR MORE US PATENTS

LEGAL NOTICE

MX-A08

SHEET

PART # TABLE	
P/N	DESCRIPTION
008115M	MLPE TIGER CLIP



MLPE TIGER CLIP



1411 BROADWAY BLVD. NE
 ALBUQUERQUE, NM 87102 USA
 PHONE: 505.242.6411
 WWW.UNIRAC.COM

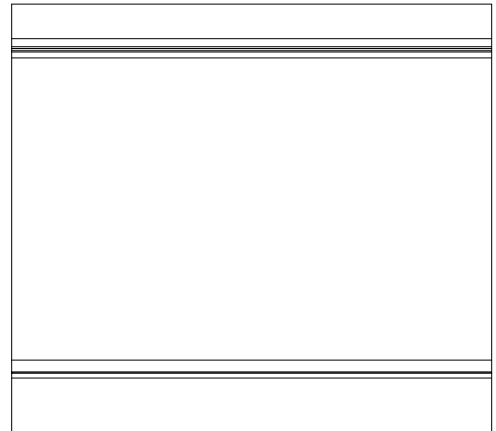
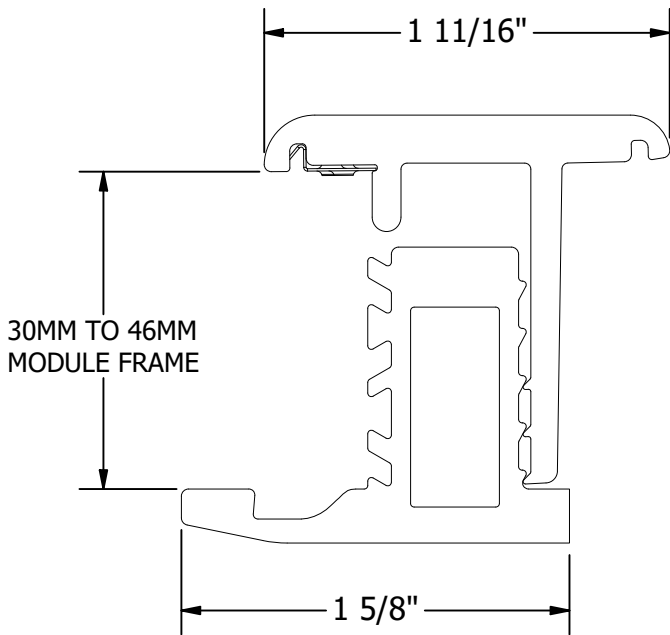
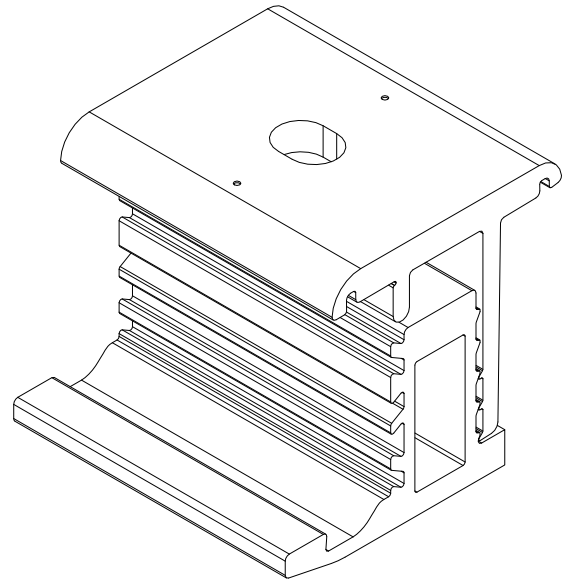
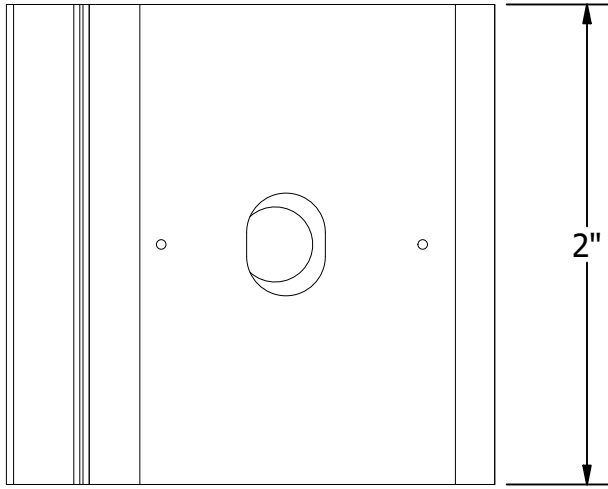
PRODUCT LINE:	METALX
DRAWING TYPE:	PARTS ASSEMBLY
DESCRIPTION:	MLPE CLIP
REVISION DATE:	4/21/2023

DRAWING NOT TO SCALE
 ALL DIMENSIONS ARE
 NOMINAL

PRODUCT PROTECTED BY
 ONE OR MORE US PATENTS
 LEGAL NOTICE

MX-A09
 SHEET

PART # TABLE	
P/N	DESCRIPTION
ES10828	METALX END CLAMP



METALX END CLAMP



1411 BROADWAY BLVD. NE
 ALBUQUERQUE, NM 87102 USA
 PHONE: 505.242.6411
 WWW.UNIRAC.COM

PRODUCT LINE:	METALX
DRAWING TYPE:	PARTS ASSEMBLY
DESCRIPTION:	END CLAMP
REVISION DATE:	4/21/2023

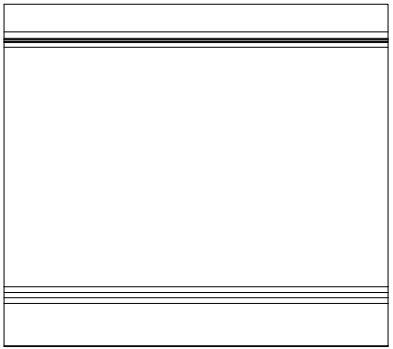
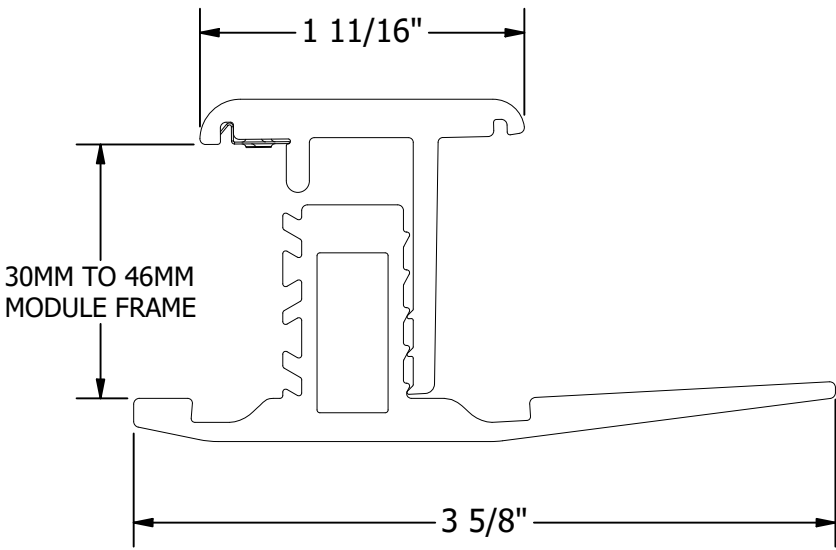
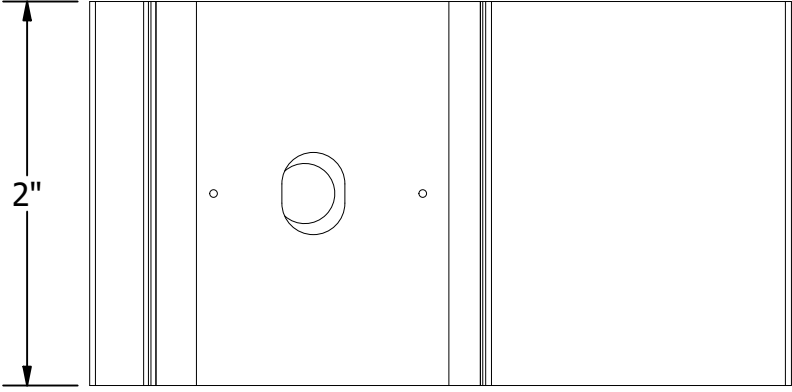
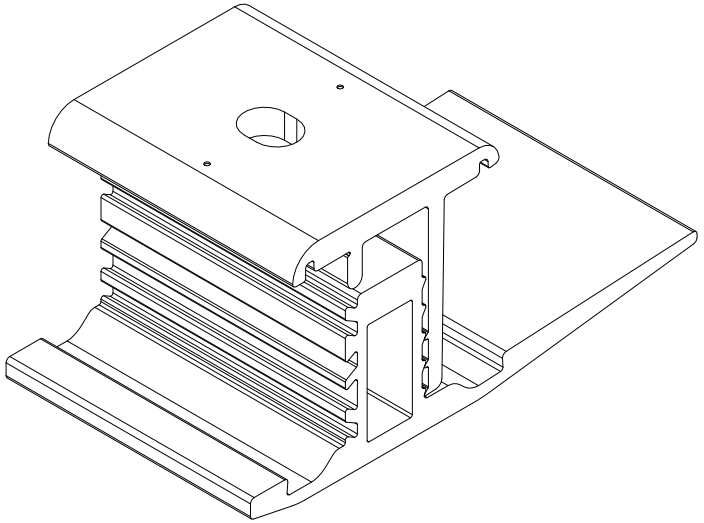
DRAWING NOT TO SCALE
 ALL DIMENSIONS ARE
 NOMINAL

PRODUCT PROTECTED BY
 ONE OR MORE US PATENTS
 LEGAL NOTICE

MX-A10

SHEET

PART # TABLE	
P/N	DESCRIPTION
ES10829	METALX MID CLAMP



METALX MID CLAMP

UNIRAC
 1411 BROADWAY BLVD. NE
 ALBUQUERQUE, NM 87102 USA
 PHONE: 505.242.6411
 WWW.UNIRAC.COM

PRODUCT LINE:	METALX
DRAWING TYPE:	PARTS ASSEMBLY
DESCRIPTION:	MID CLAMP
REVISION DATE:	4/21/2023

DRAWING NOT TO SCALE
 ALL DIMENSIONS ARE
 NOMINAL

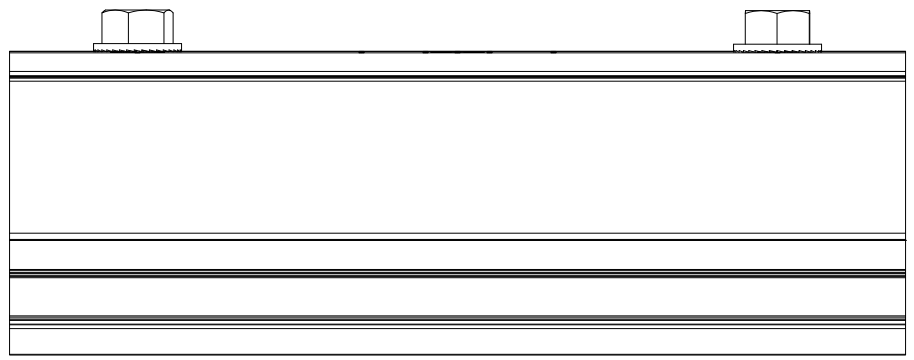
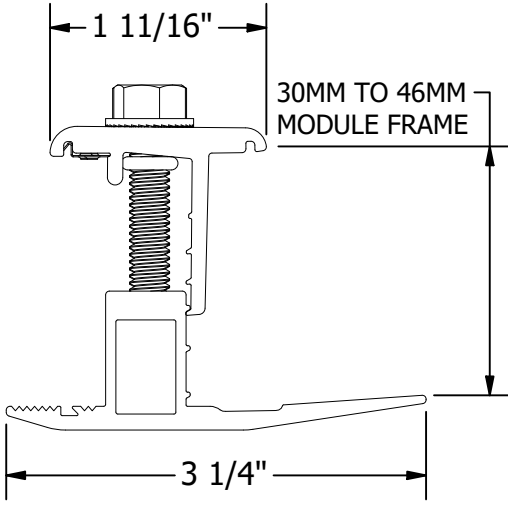
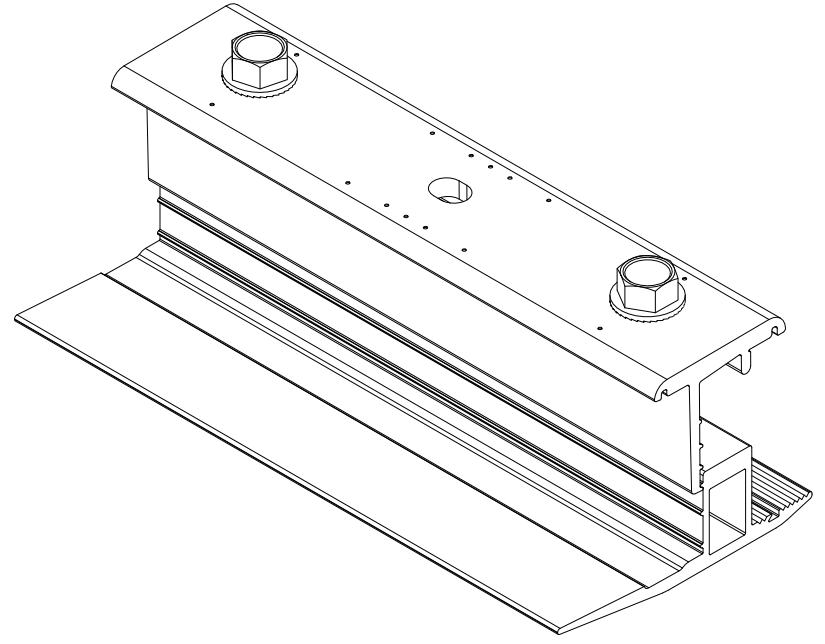
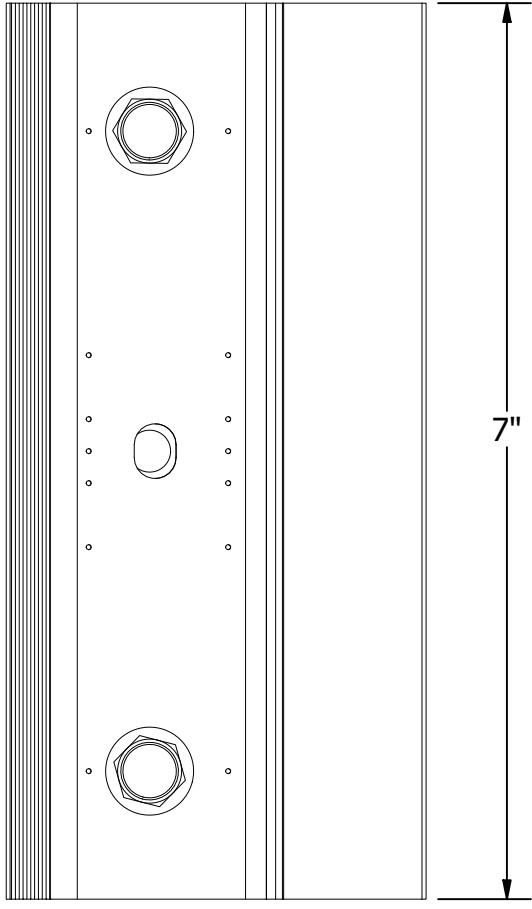
PRODUCT PROTECTED BY
 ONE OR MORE US PATENTS

LEGAL NOTICE

MX-A11

SHEET

PART # TABLE	
P/N	DESCRIPTION
ES10616	ECOX UNI COUPLING



ECOX UNI COUPLING

UNIRAC[®]

1411 BROADWAY BLVD. NE
ALBUQUERQUE, NM 87102 USA
PHONE: 505.242.6411
WWW.UNIRAC.COM

PRODUCT LINE:	METALX
DRAWING TYPE:	PARTS ASSEMBLY
DESCRIPTION:	UNI COUPLING
REVISION DATE:	4/21/2023

DRAWING NOT TO SCALE
ALL DIMENSIONS ARE
NOMINAL

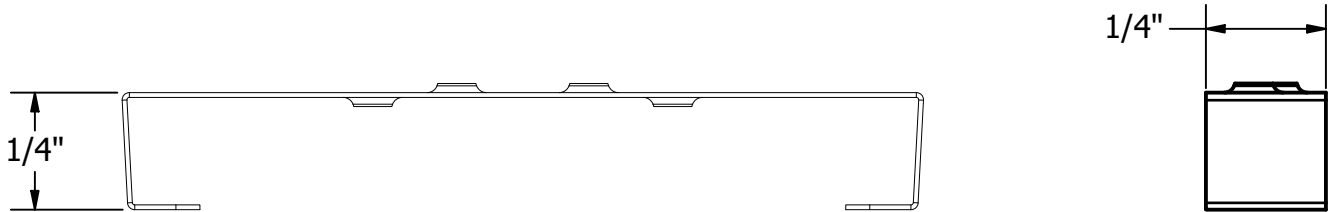
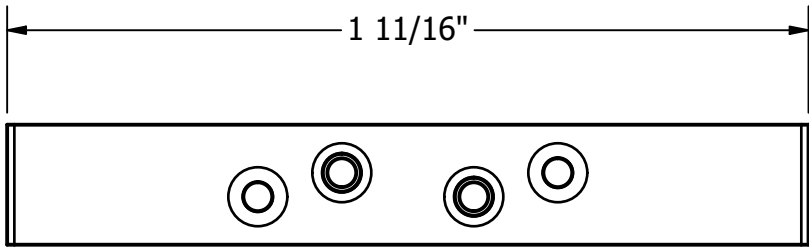
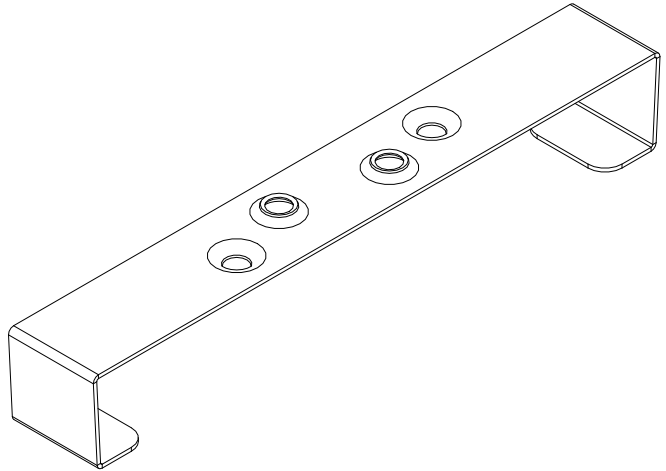
PRODUCT PROTECTED BY
ONE OR MORE US PATENTS

LEGAL NOTICE

MX-A12

SHEET

PART # TABLE	
P/N	DESCRIPTION
ES10260	ECOX ROW TO ROW BONDING CLIP



ROW TO ROW BONDING CLIP

UNIRAC[®]
 1411 BROADWAY BLVD. NE
 ALBUQUERQUE, NM 87102 USA
 PHONE: 505.242.6411
 WWW.UNIRAC.COM

PRODUCT LINE:	METALX
DRAWING TYPE:	PART
DESCRIPTION:	BONDING CLIP
REVISION DATE:	4/21/2023

DRAWING NOT TO SCALE
 ALL DIMENSIONS ARE
 NOMINAL

PRODUCT PROTECTED BY
 ONE OR MORE US PATENTS

LEGAL NOTICE

MX-P01

SHEET