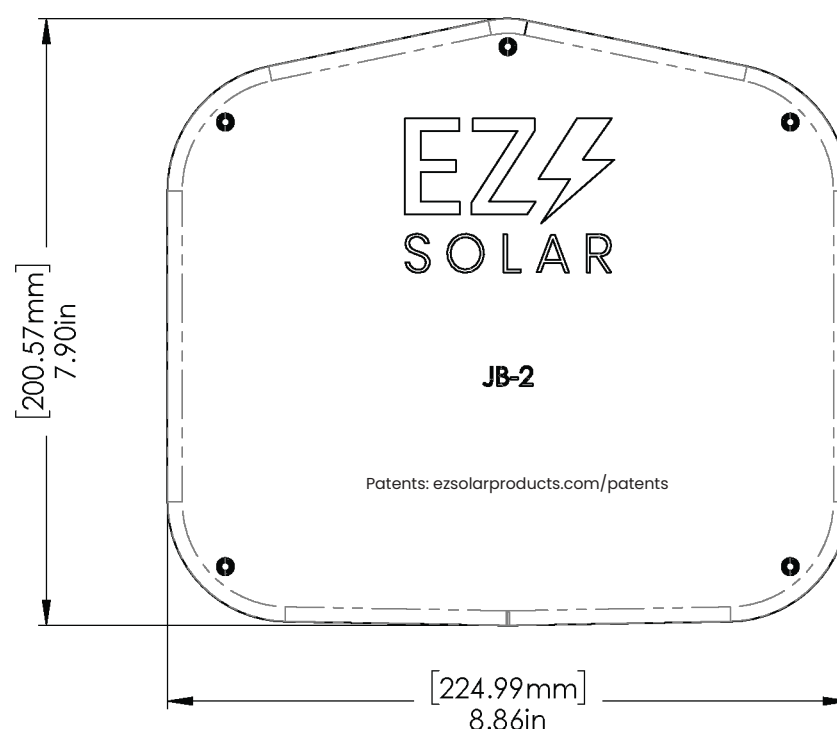
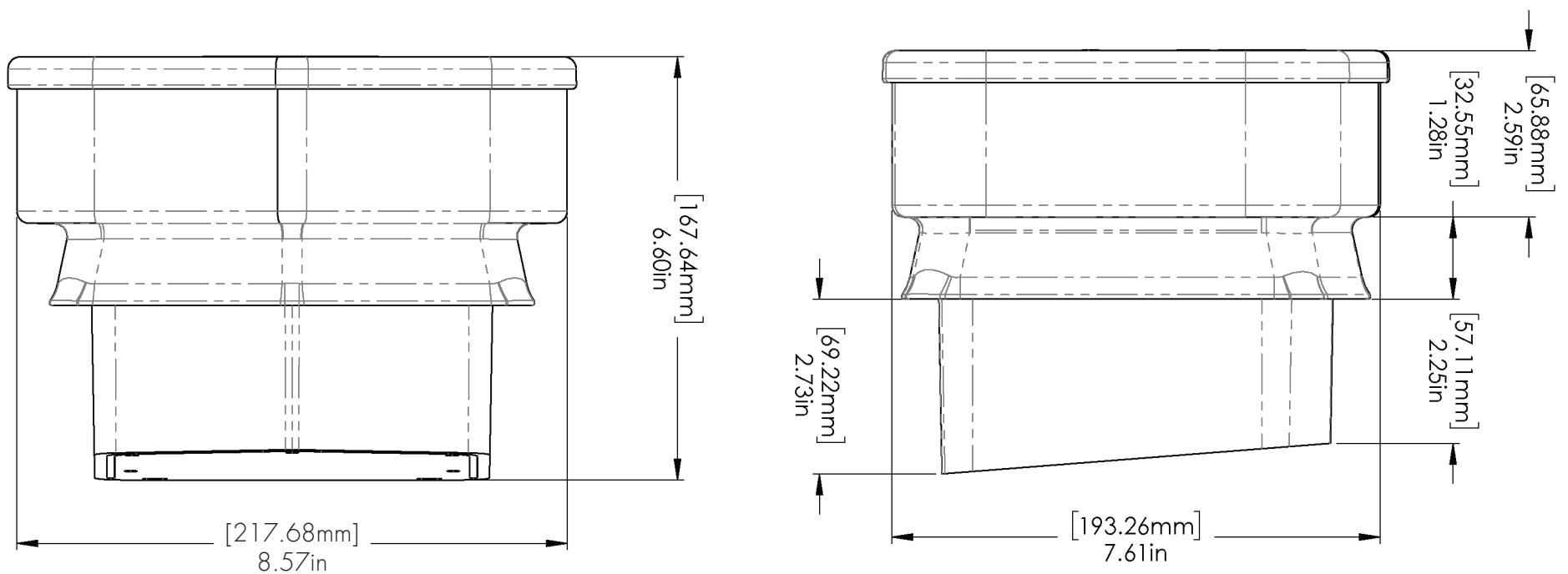


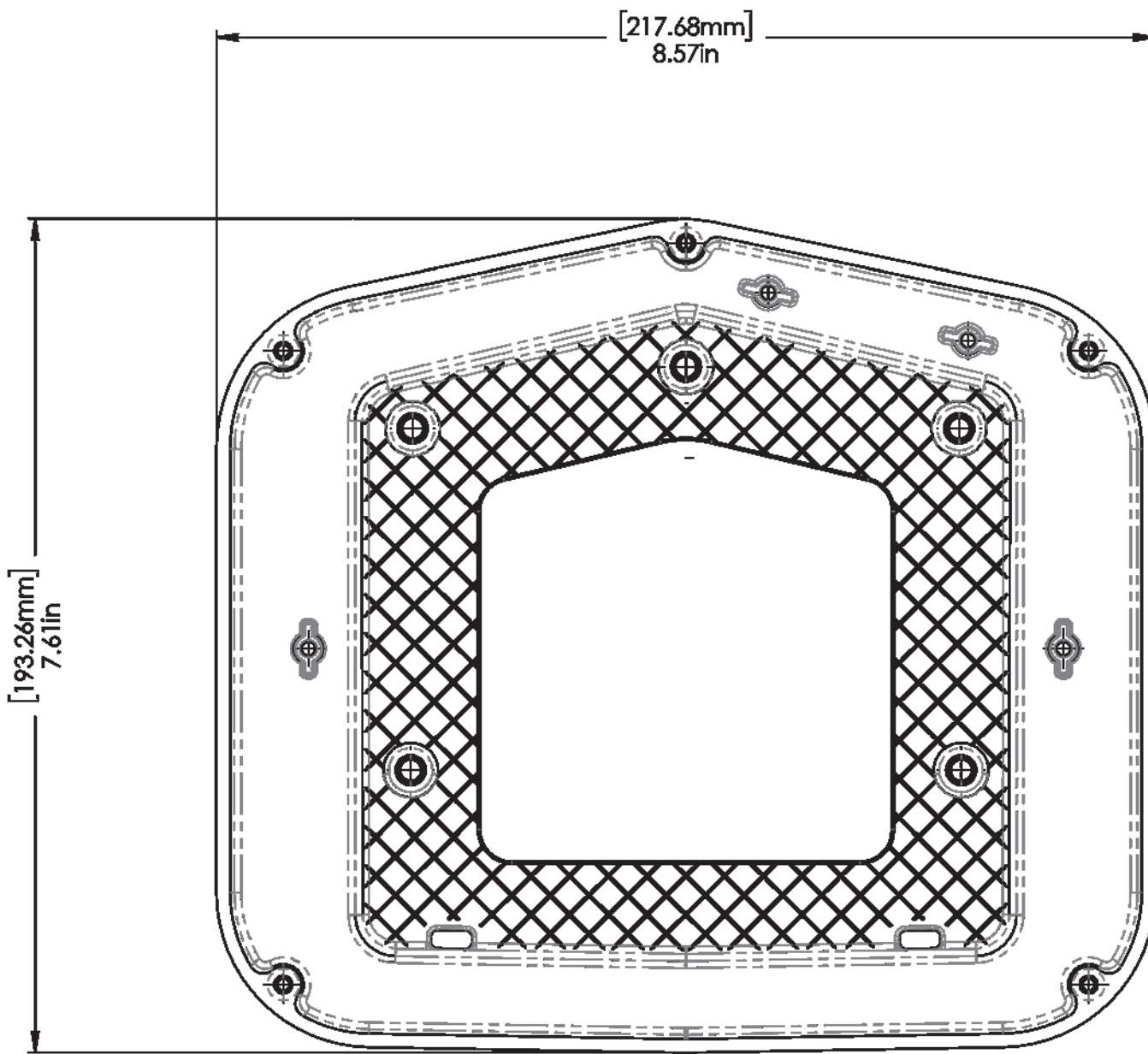
ITEM NO.	PART NUMBER	DESCRIPTION	QTY
1	JB-2 BODY+LID	POLYCARBONATE WITH UV INHIBITORS	1
2	UNIVERSAL FLASHING		1
3	#10 X 1-1/4" PHILLIPS PAN HEAD SCREW		6
4	#8 X 3/4" PHILLIPS PAN HEAD SCREW		6
5	#8 X 3/8" PHILLIPS PAN HEAD SCREW		2

SIZE B	DWG. NO. JB-2	REV
SCALE: 1:2.5	WEIGHT: 2 LBS	SHEET 1 OF 4

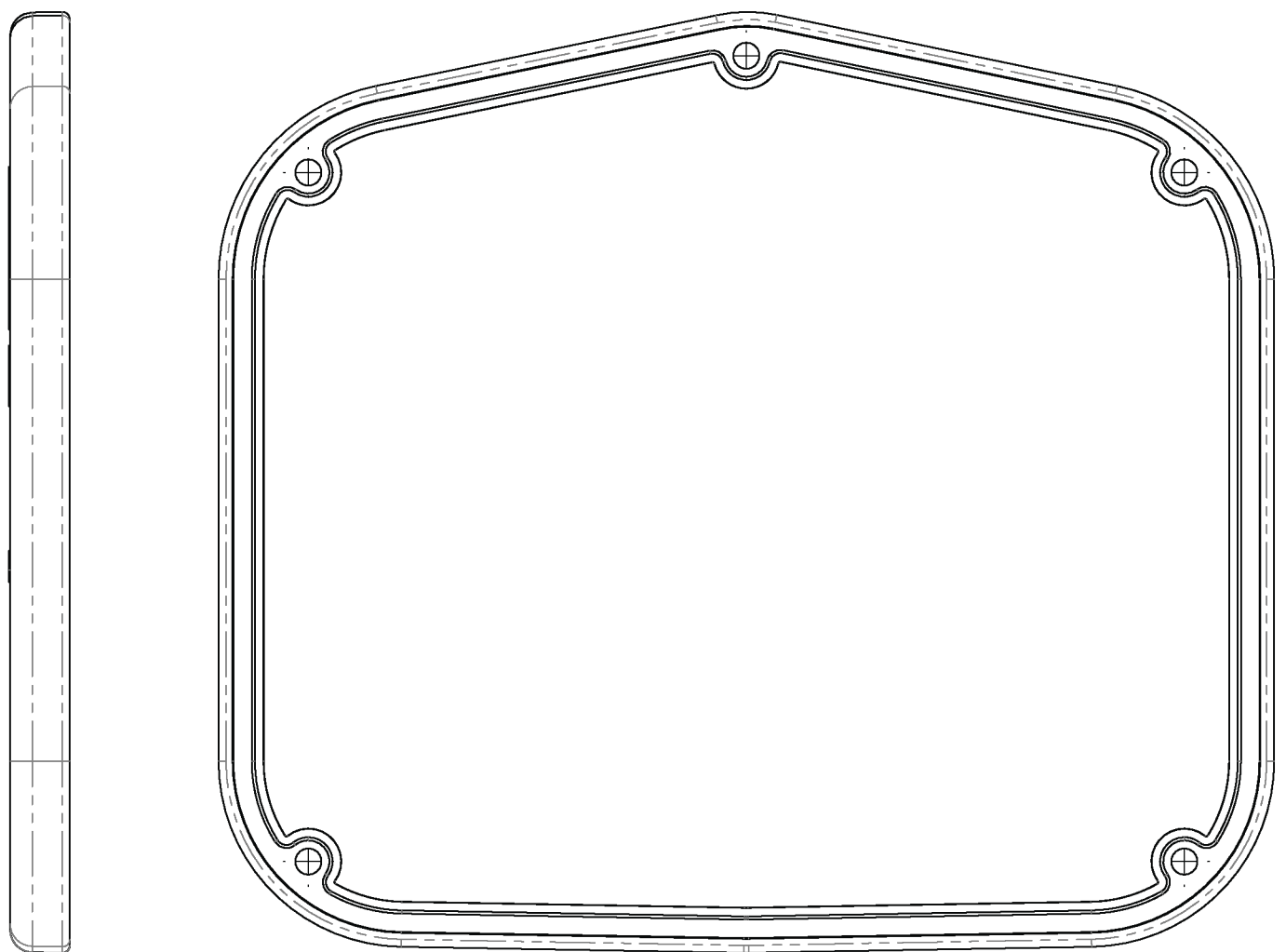
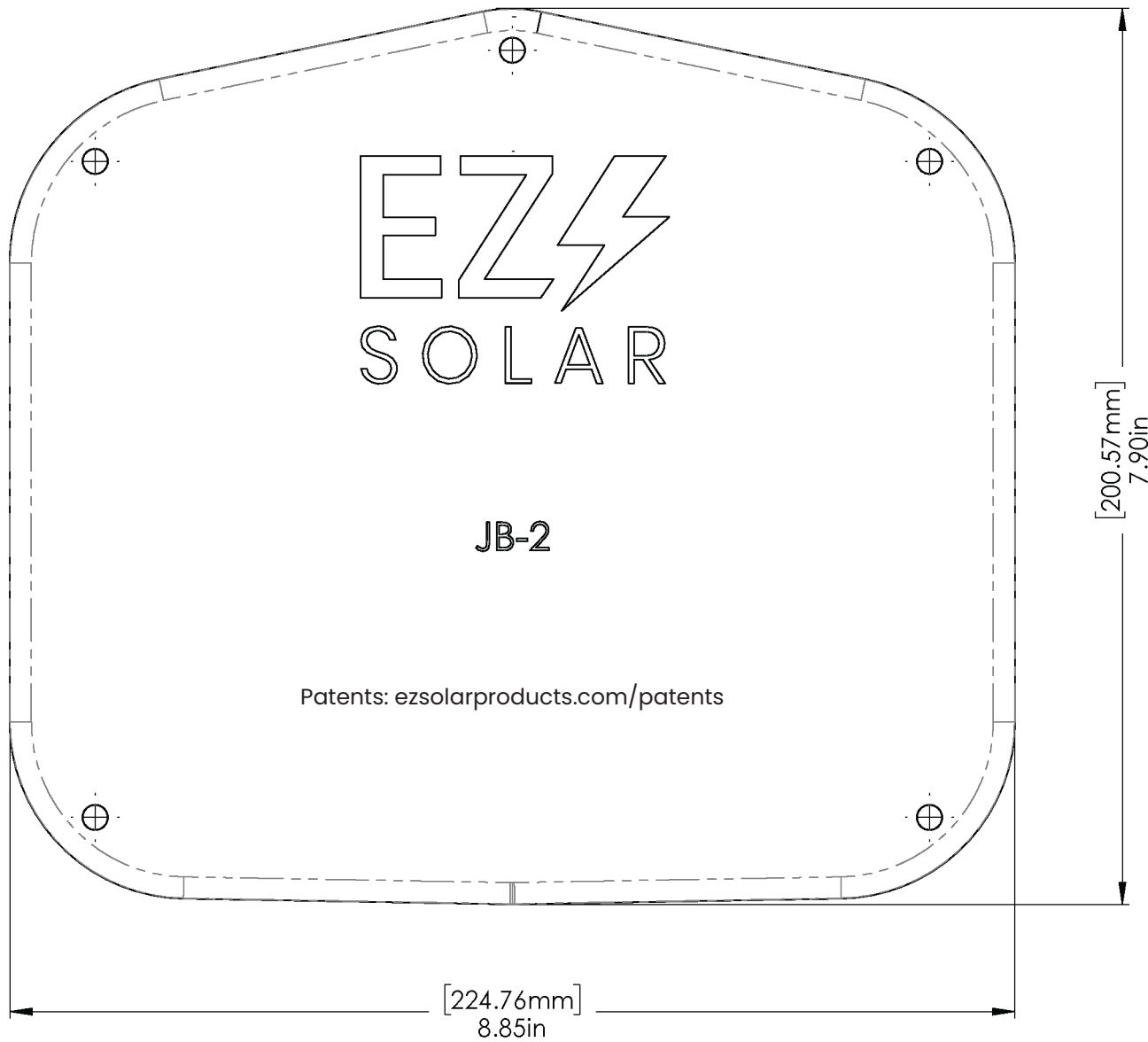
TORQUE SPECIFICATION:	15-20 LBS
CERTIFICATION:	UL 1741, NEMA 3R CSA C22.2 NO. 290
WEIGHT:	2 LBS



SIZE B	DWG. NO. JB-2	REV
SCALE: 1:2.5	WEIGHT: 2 LBS	SHEET 2 OF 4



SIZE B	DWG. NO. JB-2	REV
SCALE: 1:2.5	WEIGHT: 2 LBS	SHEET 3 OF 4



SIZE B	DWG. NO. JB-2	REV
SCALE: 1:2.5	WEIGHT: 2 LBS	SHEET 4 OF 4

