

# K2 Drop N Lock

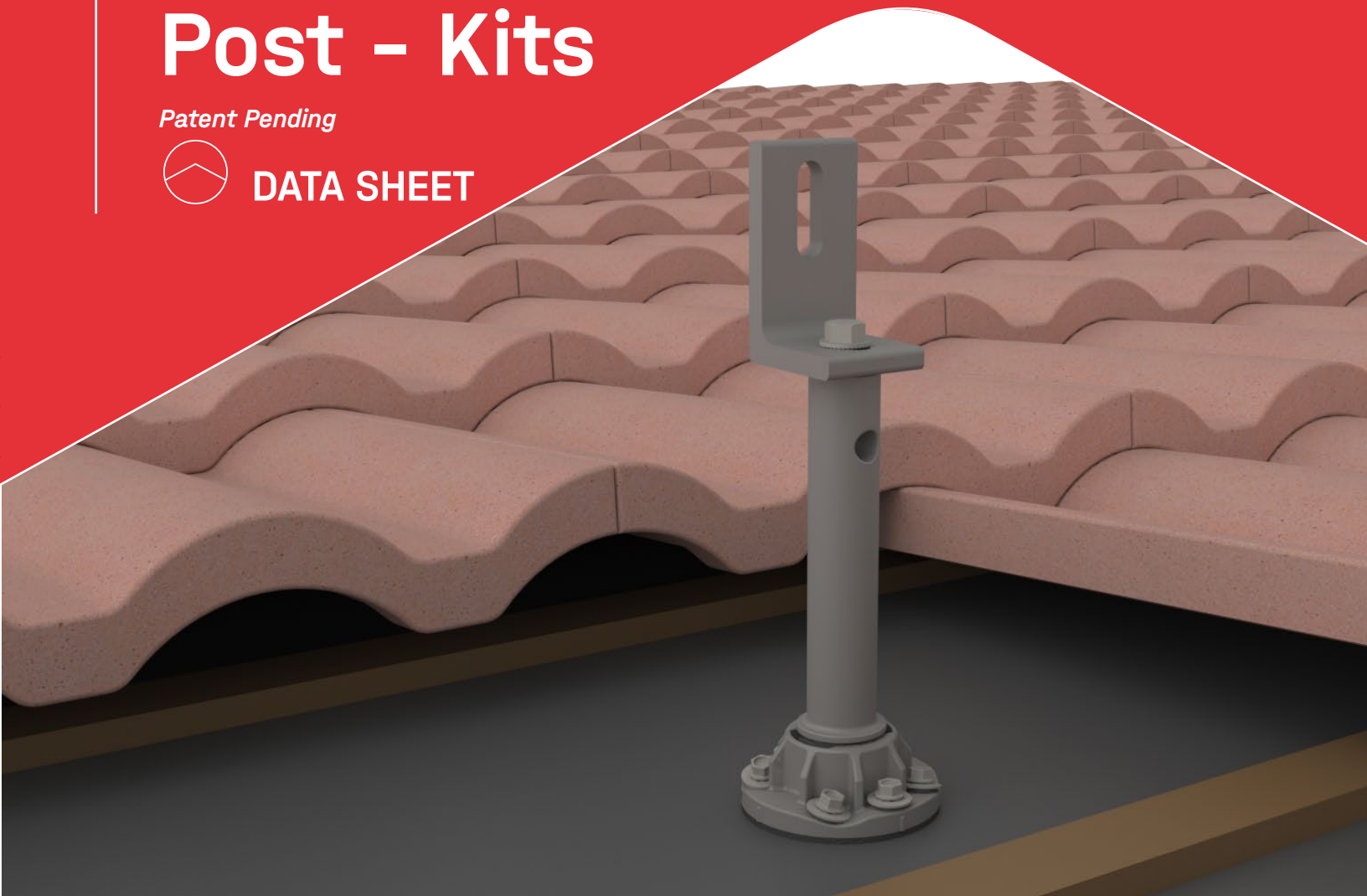


## Post - Kits

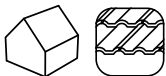
Patent Pending



DATA SHEET



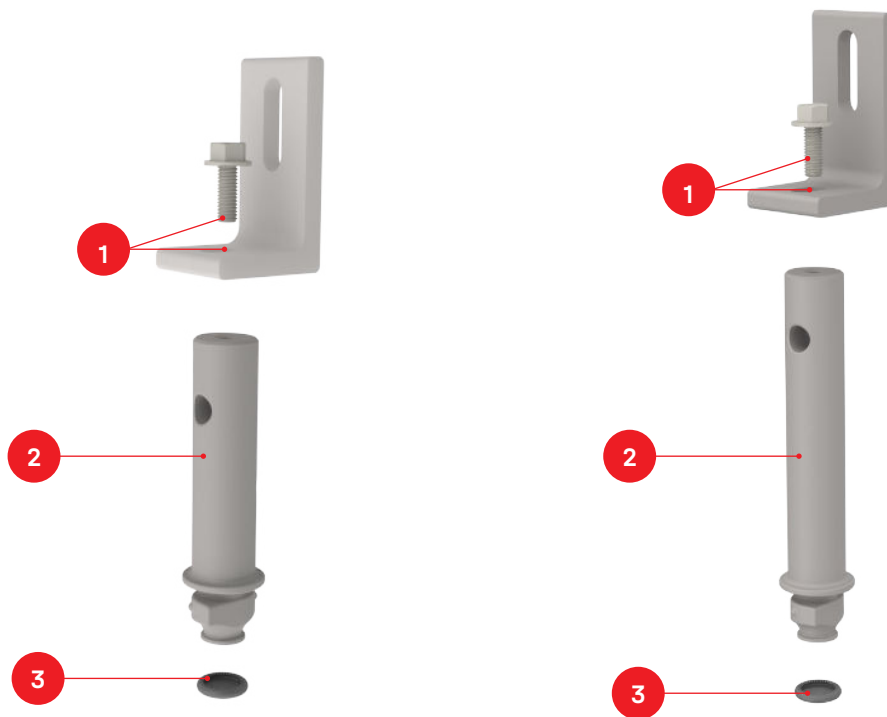
### PRODUCT FEATURES



- / Quick and easy installation - drill, drop and lock it
- / Can be installed to the rafter (2 screws) or decking (6 screws)
- / Center hole installation aid
- / 4.5" post for flat tile roofs
- / 6" post for S & W tile roofs

Part Number	Description
4000237	K2 Drop N Lock Post 4.5", Kit
4000238	K2 Drop N Lock Post 6", Kit

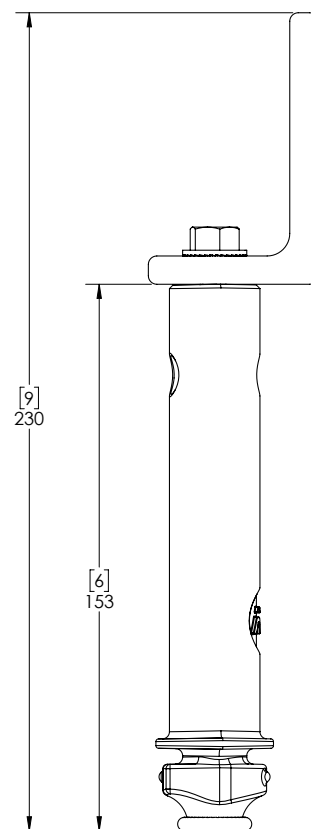
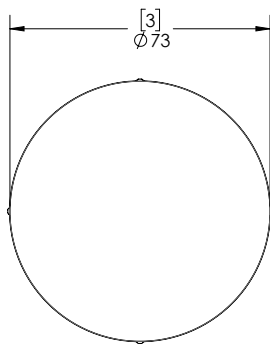
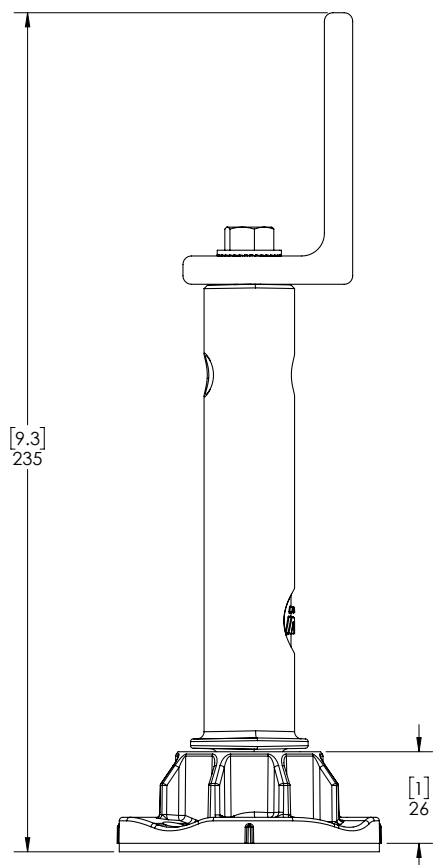
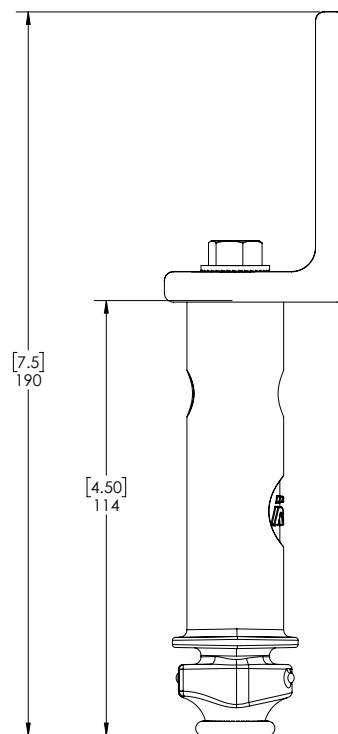
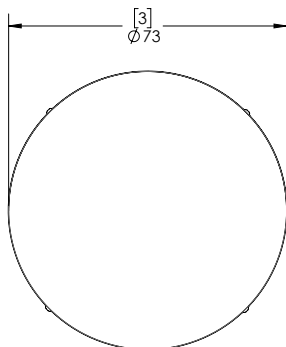
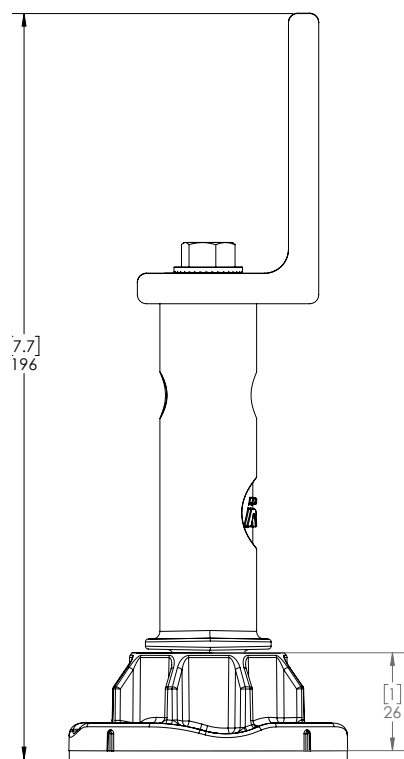
# TECHNICAL DATA



Item Number	Description	Part Number
1	Slotted L-Foot Set	4000237   K2 Drop N Lock Post 4.5", Kit
2	K2 Drop N Lock Post 4.5", Mill OR 6"	OR 4000238   K2 Drop N Lock Post 6", Kit
3	K2 Drop N Lock Post Cap, Dark	

	K2 Drop N Lock Post - Kits
Material	Aluminum with stainless steel hardware
Finish	Mill
Roof Connection	#14x 3in x 5-16in Hex Head Screw into Universal Base
Certification	ASTM D7147 and TAS100
Compatiblilty	CrossRail 44-X, 48-X, 48-XL, 80
Roof Type	Flat, S and W Tiles, Composition Shingle, Rolled Asphalt

Units: [in] mm





# Drop N Lock Features

## Featured Packed Replacement Tile

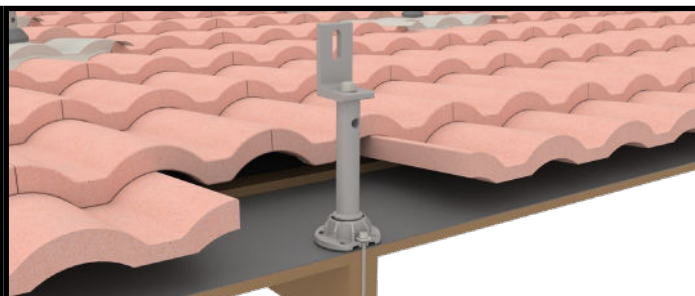
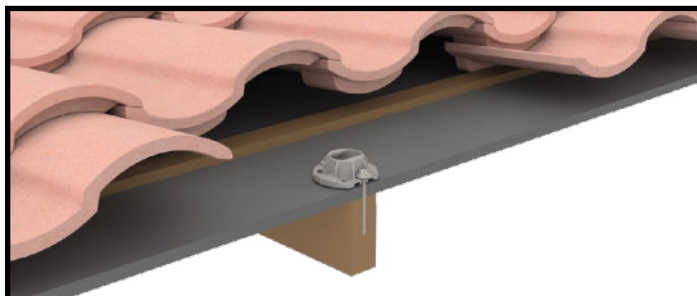
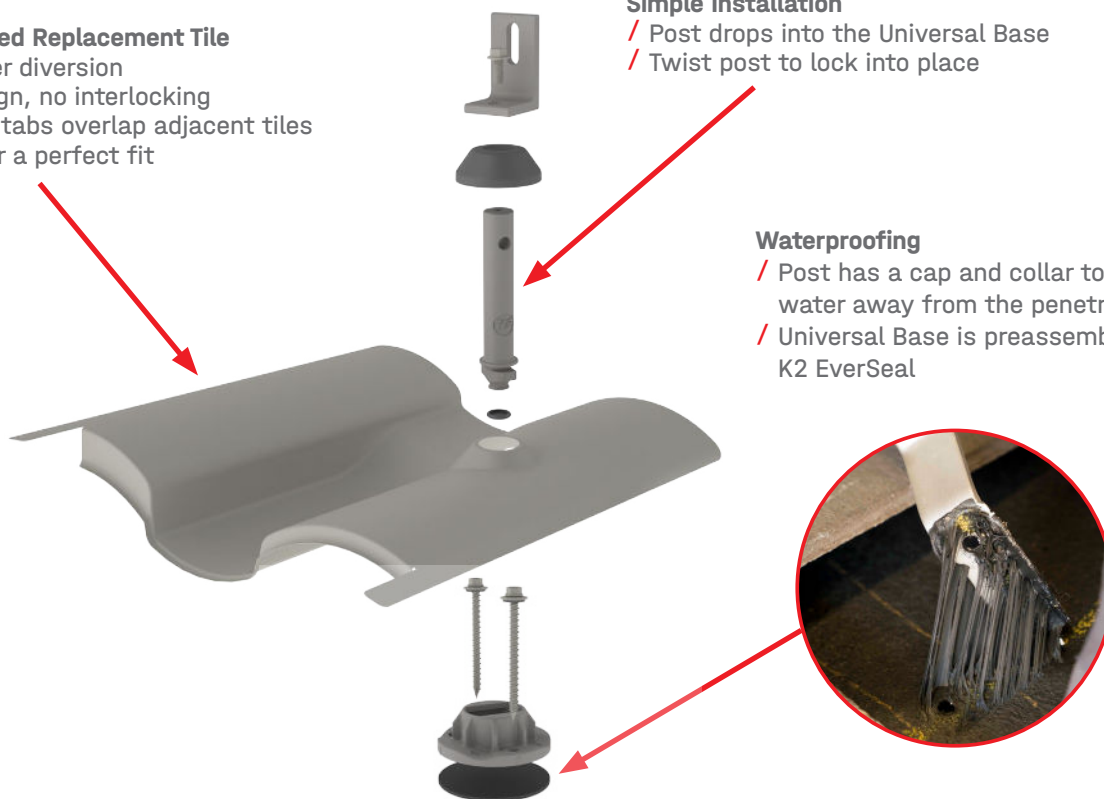
- / Built-in water diversion
- / Slide-in design, no interlocking
- / Securement tabs overlap adjacent tiles
- / Malleable for a perfect fit

## Simple Installation

- / Post drops into the Universal Base
- / Twist post to lock into place

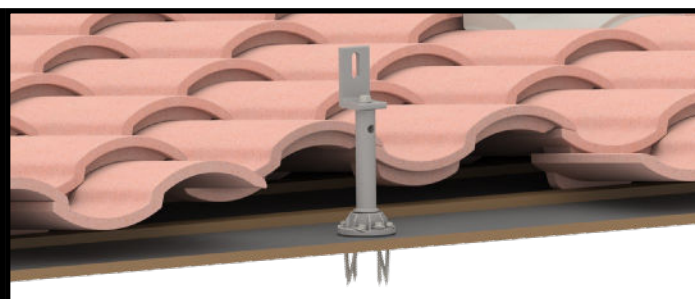
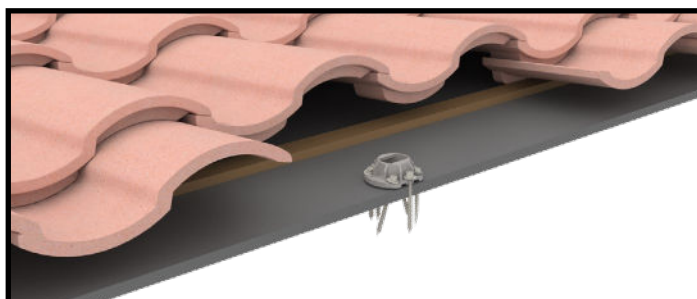
## Waterproofing

- / Post has a cap and collar to help shed water away from the penetration
- / Universal Base is preassembled with K2 EverSeal



## Rafter Attached

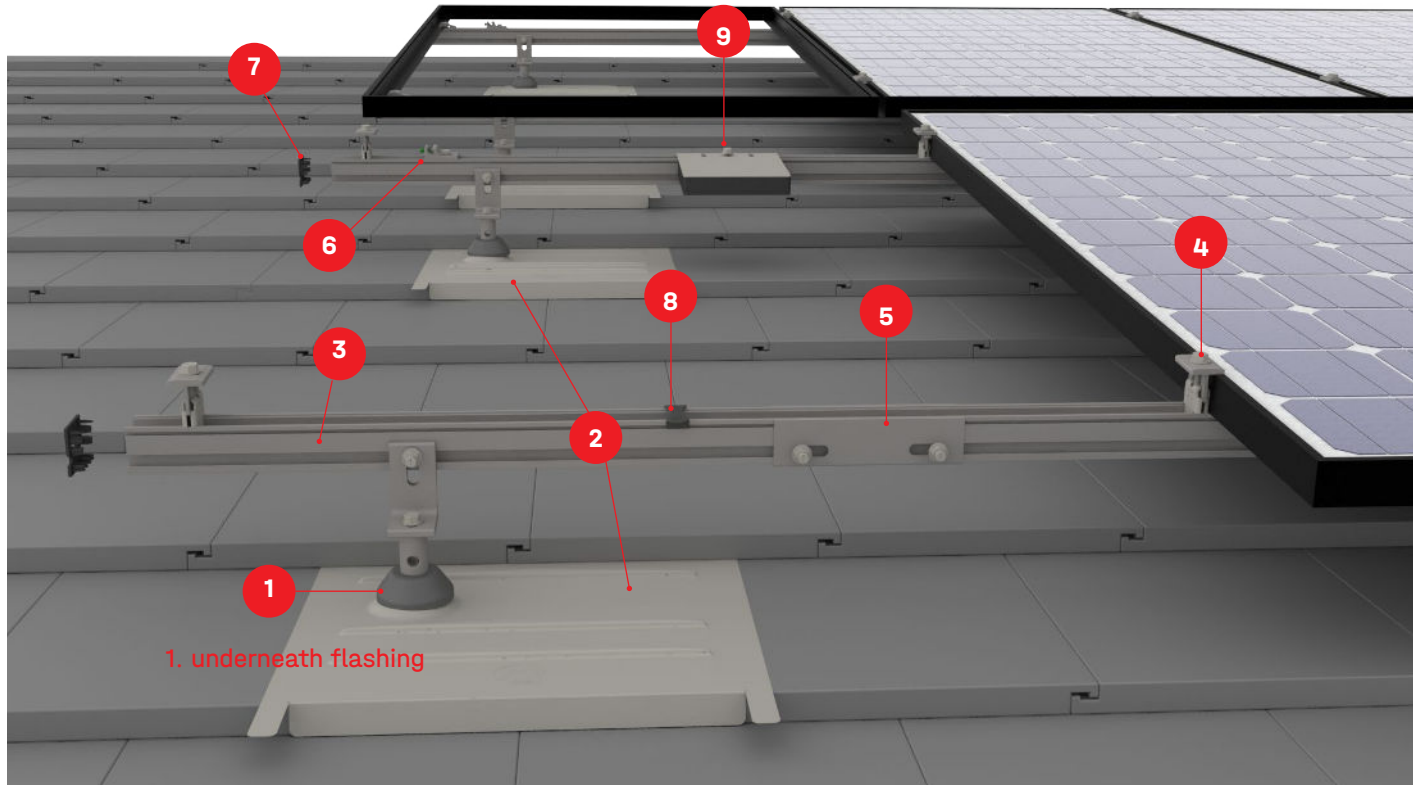
- / Best as primary attachment method
- / 2 screws required (included) in center holes
- / Self-tapping and self-sealing



## Deck Attached

- / Best as secondary attachment method
- / 6 screws required in all holes of the mount
- / Alternative to rafter connection
- / Requires additional #14 screws

# CrossRail System & Drop N Lock



1 4000239



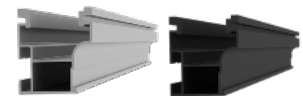
**K2 Universal Base**

2 4000234 (Flat)  
4000235 (S) 4000236 (W)



**Drop N Lock RT Kit**

3 Multiple PNs



**CrossRail 44-X, 48-X or 48-XL**

4 4000135/4000145



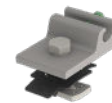
**K2 Cross Clamp**  
30 - 50 mm module frame height

5 4000051/4000052  
4000385/4000386



**Structural Rail Connector**  
CR 44-X or CR 48-X/48-XL

6 4000006-H



**K2 Ground Lug**

7 4000176  
4000431



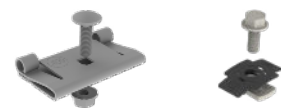
**End Cap**  
CR 44-X or CR 48-X/48-XL

8 4000069  
4000382  
4005394



**Wire Management**  
TC Wire Clip, SunRunner Clip,  
Omega Clip

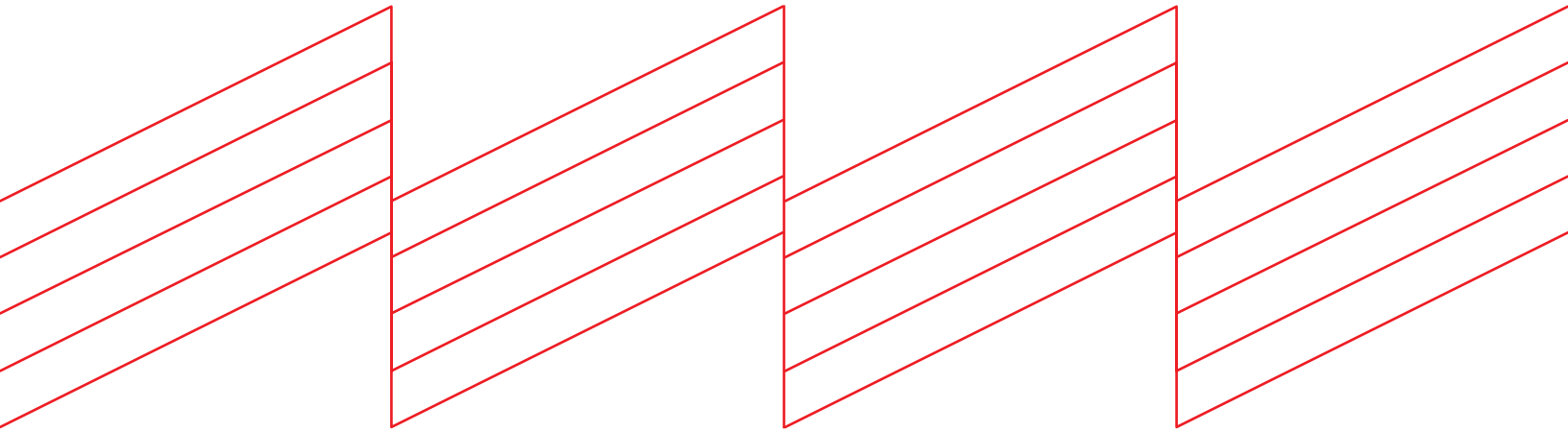
9 4000083  
4000629-H



**MLPE Mounting Kits**  
MLPE Module Frame Mount,  
CR Microinverter & Opt Mount Kit



# Connecting Strength



## K2 Systems, LLC

4665 North Ave. Suite I • Oceanside, CA 92056 •  
USA +1.760.301.5300 • [infous@k2-systems.com](mailto:infous@k2-systems.com)  
[www.k2-systems.com](http://www.k2-systems.com)

K2 Drop N Lock Post - Kits Data Sheet V1 | 1023 • Subject to change  
Product illustrations are exemplary and may differ from the original.