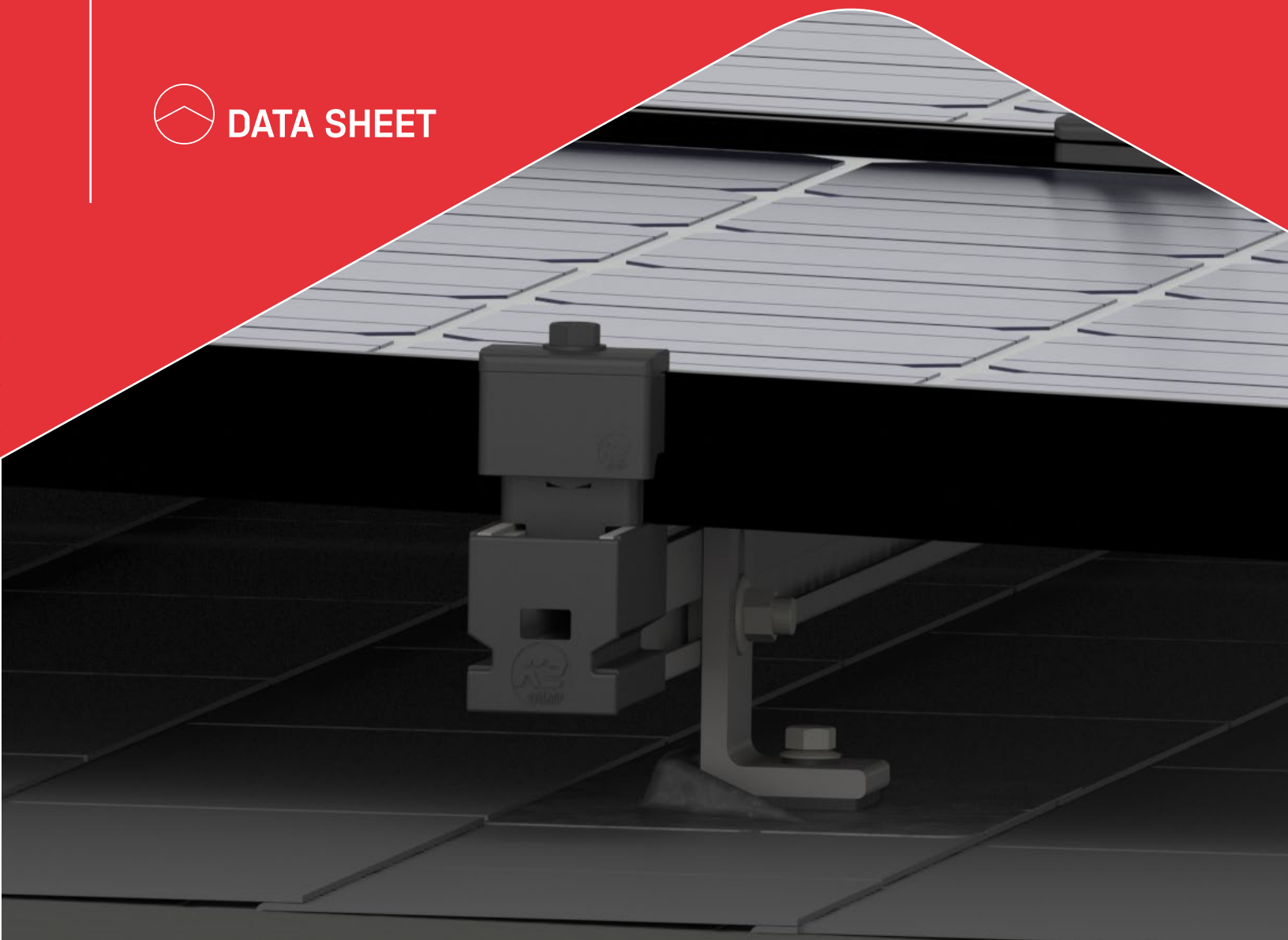


# K2 Cross Clamp



 DATA SHEET



## PRODUCT FEATURES

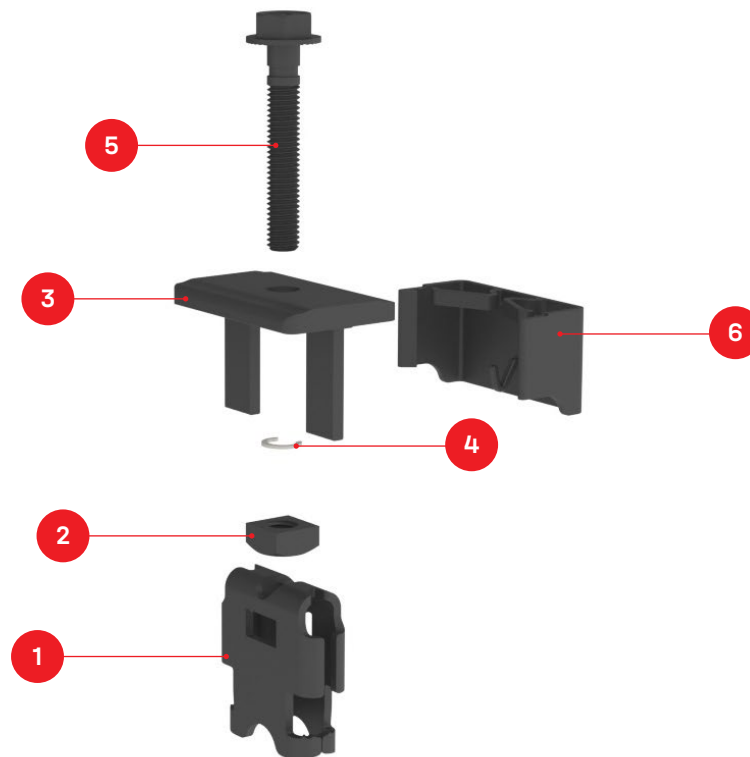


- / New and improved design
- / One handed and one tool installation
- / Mid and End Clamp functionality
- / Module frame compatibility of 30 - 45 mm
- / 1/2" inter-module gap

# TECHNICAL DATA



	K2 Cross Clamp
Part Number(s)	4000135/4000135-US (Mill), 4000145/4000145-US (Dark)
Finish	Mill or Dark
Material	600 Series Aluminum and 304 Stainless Steel
Compatibility	CR 44X, 48X, 48XL, 80
Box Quantity	20
Warranty	25 years
Florida Product Approval	FL#46869

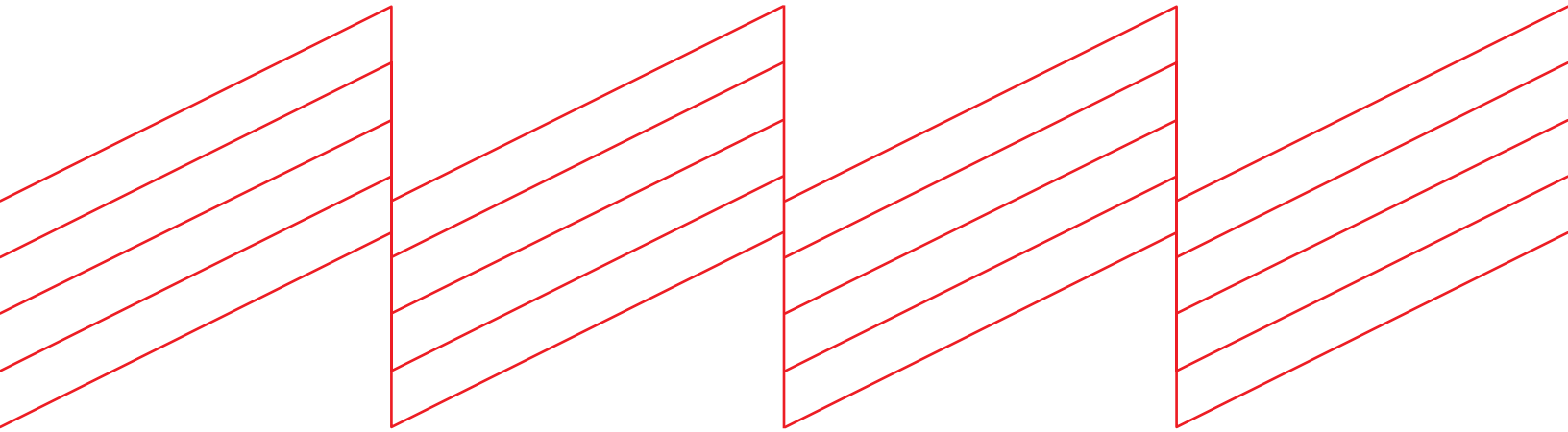


Item Number	Description	Part Number
1	K2 Cross Clamp M-E Base, Dark	4000135   K2 Cross Clamp Set, Mill 4000145   K2 Cross Clamp Set, Dark
2	M8x1.25, Square Nut SS	4000135-US   K2 Cross Clamp Set, Mill, DC 4000145-US   K2 Cross Clamp Set, Dark, DC
3	K2 Cross Clamp M-E Top 50mm	
4	Clearance External Retaining Ring	
5	Hex Head Bolt Serrated, M8x50mm	
6	K2 Cross Cap	4000312   K2 Cross Cap





# Connecting Strength



## **K2 Systems, LLC**

4665 North Ave. Suite I • Oceanside, CA 92056 •  
USA +1.760.301.5300 • [infous@k2-systems.com](mailto:infous@k2-systems.com)  
[www.k2-systems.com/en-us](http://www.k2-systems.com/en-us)

Cross Clamp Data Sheet ENV4 | 1024 • Subject to change  
Product illustrations are exemplary and may differ from the original.

## **Everest Solar Systems S de RL de CV**

Calle Coral 2628 Int. 1 • Col. Residencial  
Victoria, CP 44560 • Guadalajara, Jal. • México  
+52.33.3575.9380 • [info@k2-systems.mx](mailto:info@k2-systems.mx)  
[www.k2-systems.com/es-mx](http://www.k2-systems.com/es-mx)

Cross Clamp Data Sheet ENV4 | 1024 • Sujeta a cambios  
Las ilustraciones del producto son ejemplares y pueden diferir del original.